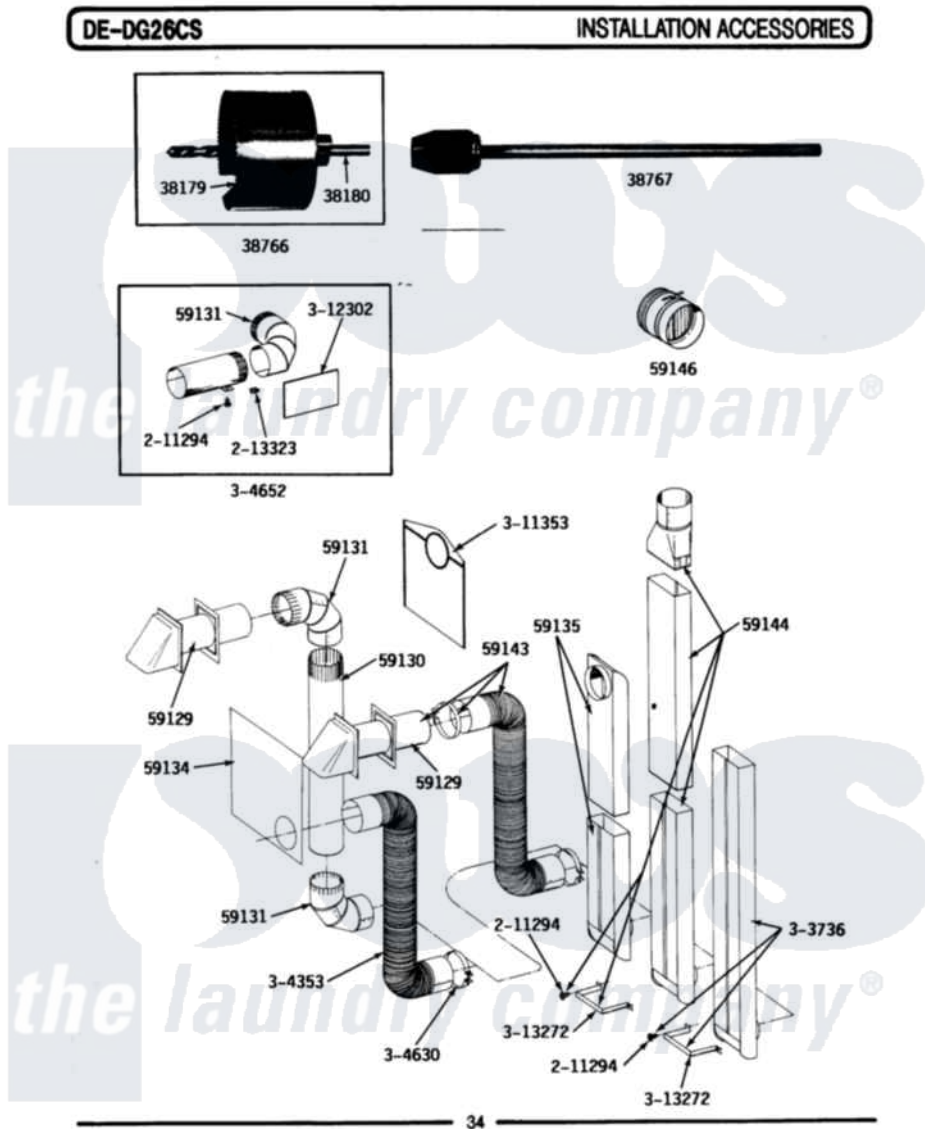


# Maytag GDE26CS 10 - INSTALLATION ACCESSORIES



Maytag Residential Maytag GDE26CS Dryer Parts Parts Diagram 10 - INSTALLATION ACCESSORIES  
 Click on the part number to view part

Item	Original Part Number	Replaced By	Status	Part Description
NI	NLA		Not Available	BLADE, SAW
"	NLA		Not Available	REPLACEMENT DRILL
"	NLA		Not Available	HOLE SAW W/DRILL BIT
"	NLA		Not Available	EXTENSION CHUCK, DRILL
005	Y059129	<a href="#">4396007RW</a>		Vent Hood
006	<a href="#">Y059130</a>			Pipe, Venting
007	<a href="#">Y059131</a>			Elbow, Venting
008	Y059134			PLATE, ALUM. WINDOW (15" X 20")
009	<a href="#">Y059135</a>			Vent Duct Assembly
010	<a href="#">Y059143</a>			Flexible Vent Kit
NI	NLA		Not Available	RECTANGULAR VENT KIT
"	NLA		Not Available	DAMPER, BACK DRAFT
013	211294	<a href="#">90767</a>		Screw, 8A X 3/8 Hex Washer Head Tapping
014	<a href="#">213323</a>			Fastener, Exhaust Duct Kit
NI	NLA		Not Available	EXHAUST DEFLECTOR KIT

016	Y304353	<a href="#">4396010RP</a>	6ft Scvent
017	<a href="#">Y304630</a>		Clamp, Flexible Duct
018	<a href="#">Y304652</a>		Exhaust Duct Kit
019	311353	Not Available	BAG, LINT (DACRON)
020	<a href="#">312302</a>		Insulation, Exhaust Duct Kit
NI	NLA	Not Available	BRACKET, EXHAUST DEFLECTOR

