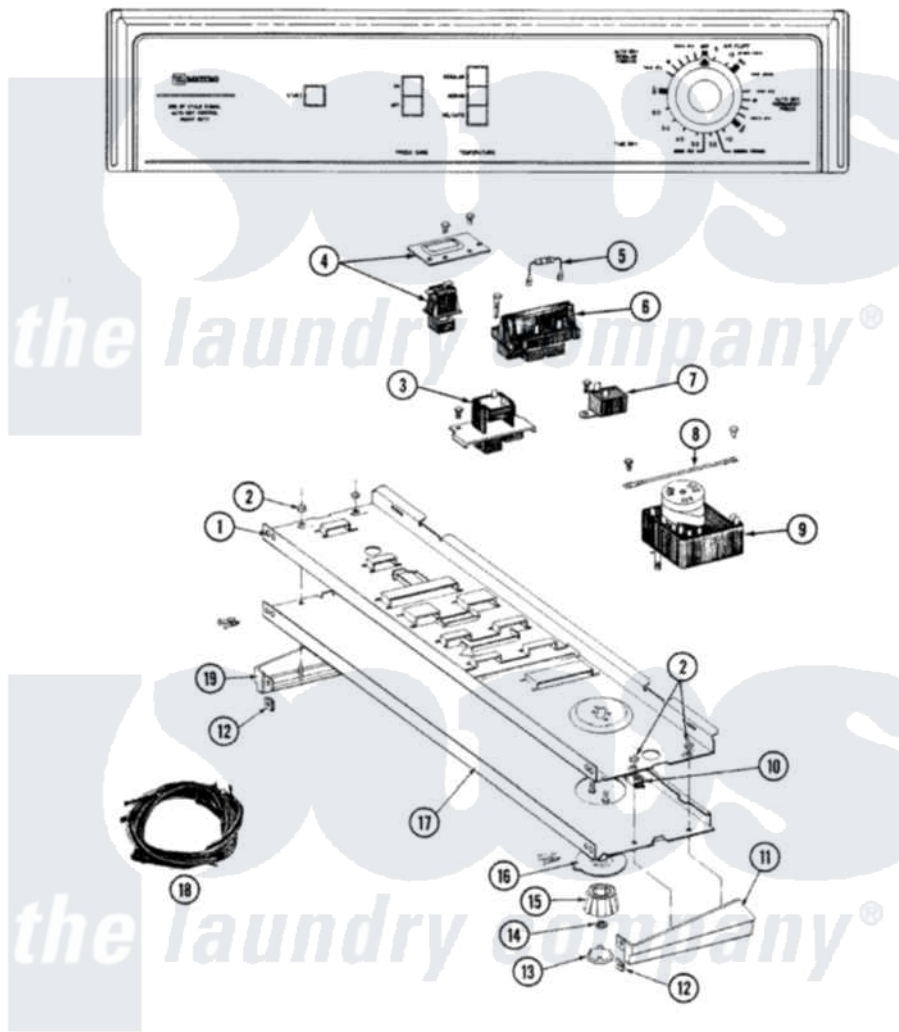


Maytag GDE5910 01 - CONTROL PANEL

SECTION: CONTROL PANEL
MODEL: DE-D65910



Issue Date: 6/98

6

[Maytag Residential Maytag GDE5910 Dryer Parts](#) Parts Diagram 01 - CONTROL PANEL
Click on the part number to view part

Item	Original Part Number	Replaced By	Status	Part Description
1	314184			Back Up Plate
2	214872			Palnut, End Cap Note: Nut, Lamp Holder
3	211168	W10139210		Screw, 8-18 X 5/16
"	307310			Press Care Switch
4	211168	W10139210		Screw, 8-18 X 5/16
"	307305			Switch Push To Start
5	306916			Resistor, Med Temp Elec
6	307304		Not Available	TEMP CONTROL SWITCH 3 BUTTON
"	213117	67006908		Screw, Ice Rack
7	305205	694419		Mini-Buzzer
"	211168	W10139210		Screw, 8-18 X 5/16
8	211294	90767		Screw, 8A X 3/8 HeX Washer Head Tapping
"	204807			Ground Wire, Supp. Plte To Top Cover
9	306545			Timer

"	910708	488234	Screw 8-32 X 1/4
10	214897		Pad, Control Panel
11	210932		Screw, No.8 X 9/16 Ctsk Note: Screw, Inlet Duct
"	207216	Not Available	END CAP RH
12	214894		Fastener, End Cap
13	215821	Not Available	CAP, KNOB
14	312273		Nut, Control Knob
15	315041		Knob, Timer
16	315042		Dial Skirt
17	307327	Not Available	CONTROL PANEL
18	307252	Not Available	WIRE HARNESS NA
19	207215	Not Available	END CAP LH

Howes
the laundry company®

Howes
the laundry company®

Howes
the laundry company®