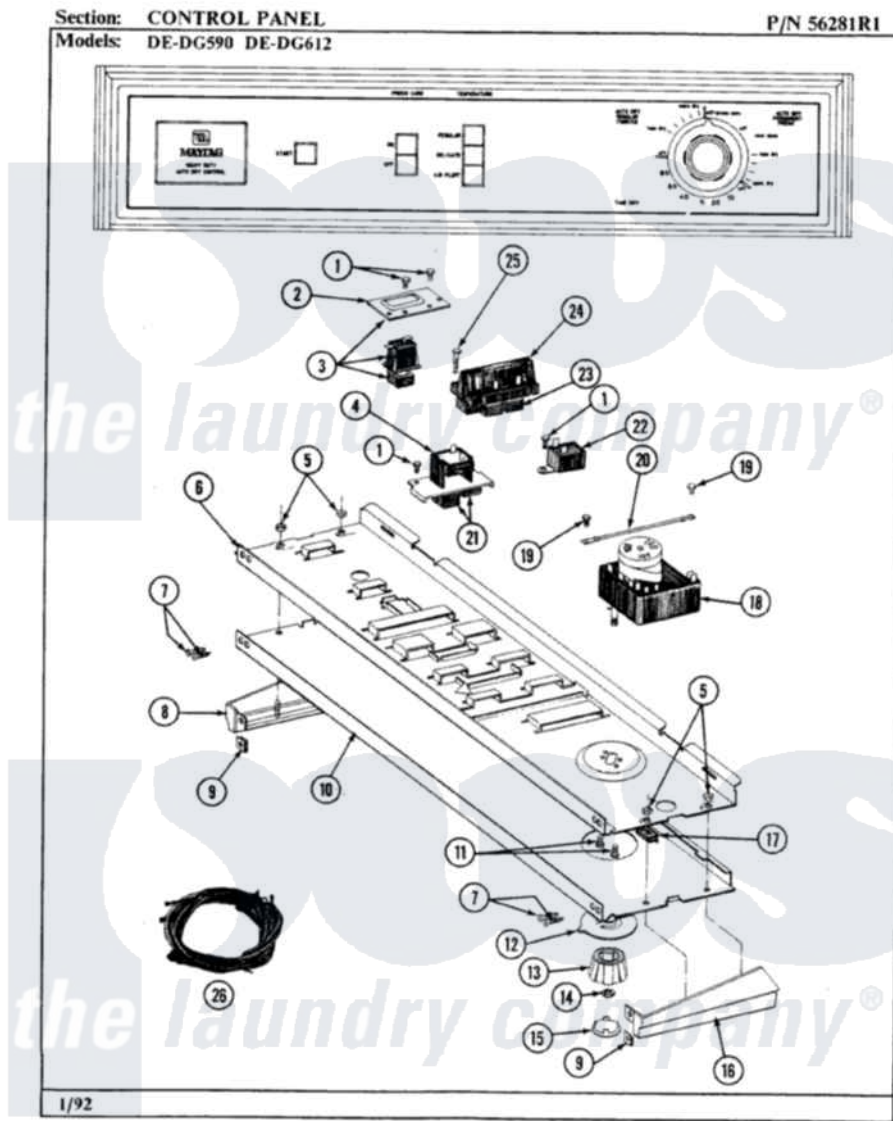


# Maytag GDE612 01 - CONTROL PANEL



Maytag [Residential Maytag GDE612 Dryer Parts](#) Parts Diagram 01 - CONTROL PANEL  
Click on the part number to view part

Item	Original Part Number	Replaced By	Status	Part Description
1	211168	<a href="#">W10139210</a>		Screw, 8-18 X 5/16
2	314177		Not Available	BRACKET FOR START SWITCH
3	<a href="#">306533</a>			Switch, Push/To/Start W/Bkt
4	305950		Not Available	DRYNESS-PRESS CARE SWITCH
5	<a href="#">214872</a>			Palnut, End Cap Note: Nut, Lamp Holder
6	<a href="#">314184</a>			Back Up Plate
7	<a href="#">210932</a>			Screw, No.8 X 9/16 Ctsk Note: Screw, Inlet Duct
8	<a href="#">214815</a>			End Cap F/Control Panel-LH
9	<a href="#">214894</a>			Fastener, End Cap
10	305885	<a href="#">306385</a>		Control Panel
"	<a href="#">306385</a>			Control Panel
11	910708	<a href="#">488234</a>		Screw 8-32 X 1/4
12	314422	<a href="#">33001500</a>		Dial, Timer Indicator
13	<a href="#">314421</a>			Knob For Timer

14	<a href="#">312273</a>		Nut, Control Knob
15	215164	Not Available	CAP FOR KNOB
16	<a href="#">214816</a>		End Cap F/Control Panel-RH
17	<a href="#">214897</a>		Pad, Control Panel
18	<a href="#">305207</a>		Timer
19	211294	<a href="#">90767</a>	Screw, 8A X 3/8 HeX Washer Head Tapping
20	<a href="#">204807</a>		Ground Wire, Supp. Plte To Top Cover
21	<a href="#">215210</a>		Button For Switch
22	305205	<a href="#">694419</a>	Mini-Buzzer
23	<a href="#">215211</a>		Button For Switch
24	305958	Not Available	TEMPERATURE SWITCH
25	213117	<a href="#">67006908</a>	Screw, Ice Rack
26	<a href="#">306807</a>		Wire Harness
"	306811	Not Available	WIRE HARNESS
"	305345	Not Available	MAIN WIRE HARNESS

