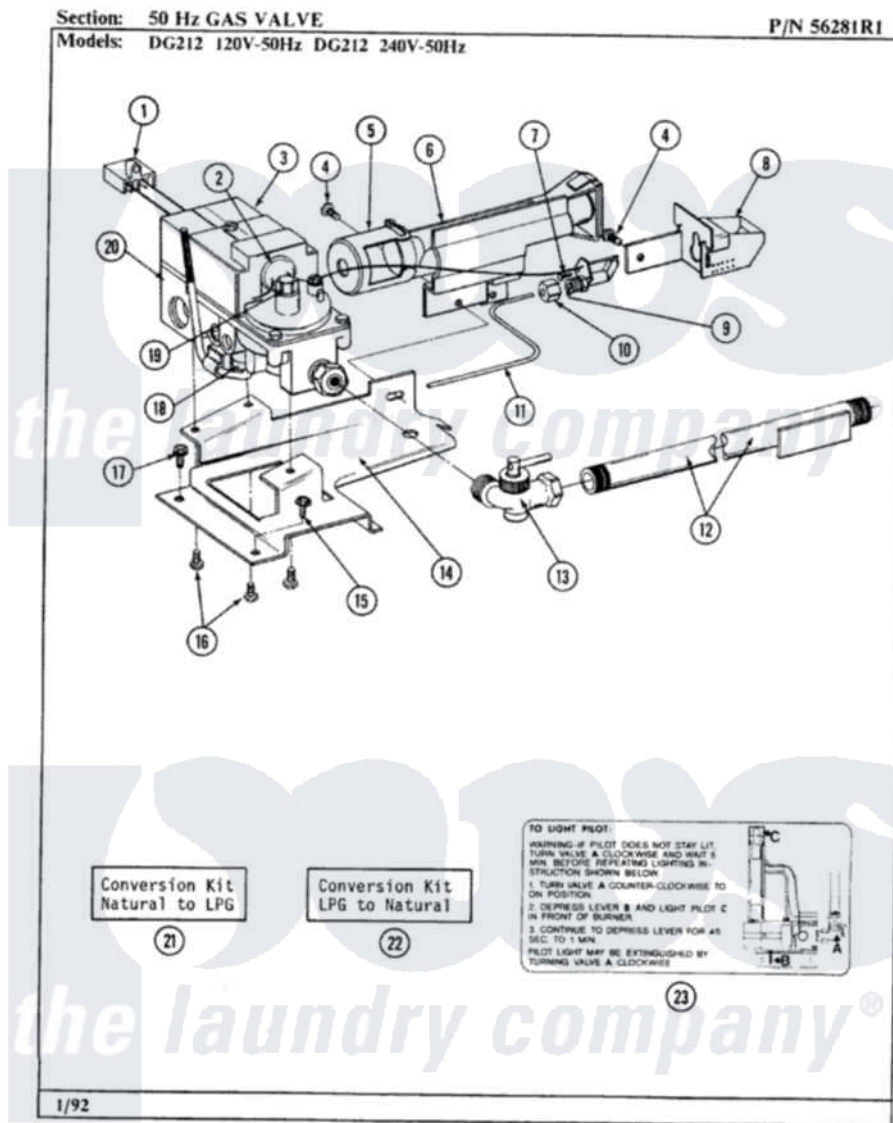


# Maytag GDG212 06 - GAS VALVE (50HZ)



Maytag Residential Maytag GDG212 Dryer Parts Parts Diagram 06 - GAS VALVE (50HZ)

Click on the part number to view part

Item	Original Part Number	Replaced By	Status	Part Description
1	Y302813		Not Available	MAIN BURN. SOLENOID (240-50)
"	<a href="#">Y302812</a>			Main Burner Solenoid
2	302814		Not Available	PILOT WITH PRESSURE SWITCH
3	311643		Not Available	ORIFICE FOR MAIN BURNER
"	<a href="#">311641</a>			Orifice For Main Burner
"	311640		Not Available	ORIFICE FOR MAIN BURNER
"	Y311639	<a href="#">63-3570</a>		Burner Orifice
4	<a href="#">Y014872</a>			Screw, Coin Meter Stop -
5	311910		Not Available	AIR SHUTTER
6	Y304697			BURNER ASSEMBLY
7	<a href="#">Y311711</a>			Screw, Fuse Block
8	304699		Not Available	PILOT SHIELD ASSEMBLY
9	<a href="#">Y311482</a>			Pilot Orifice
"	<a href="#">Y311418</a>			Pilot Orifice
"	<a href="#">311481</a>			Pilot Orifice-Mfg.

"	<a href="#">Y311480</a>		Pilot Orifice
10	310692	Not Available	COMPRESSION NUT
"	Y310693	Not Available	COMPRESSION SLEEVE
11	Y312483		PILOT TUBE
12	Y303383	<a href="#">33001735</a>	Pipe And Bracket Assembly Series 18 Not Needed Use Vavle
13	<a href="#">Y303349</a>		Angle Shut-Off, Gas Valve
14	313965	<a href="#">660533</a>	Element-Surf
15	Y310632	<a href="#">1163839</a>	Screw
16	<a href="#">211410</a>		Screw, HeX Head No.8 X 3/8 Inch
17	<a href="#">Y313561</a>		Screw----NA
18	810146	Not Available	SCREW
"	312488	Not Available	GASKET FOR PILOT
19	<a href="#">302810</a>		Screw Assembly - Blue Block Ope
"	<a href="#">302809</a>		Screw Assembly - Leak Limit
20	304707	Not Available	GAS VALVE 120-50
"	Y304698	Not Available	GAS VALVE (240-50)
21	301456	Not Available	CONVERSION KIT-NAT. TO LPG
22	<a href="#">301539</a>		Conversion Kit
23	313967	<a href="#">660532</a>	Element-Surf

