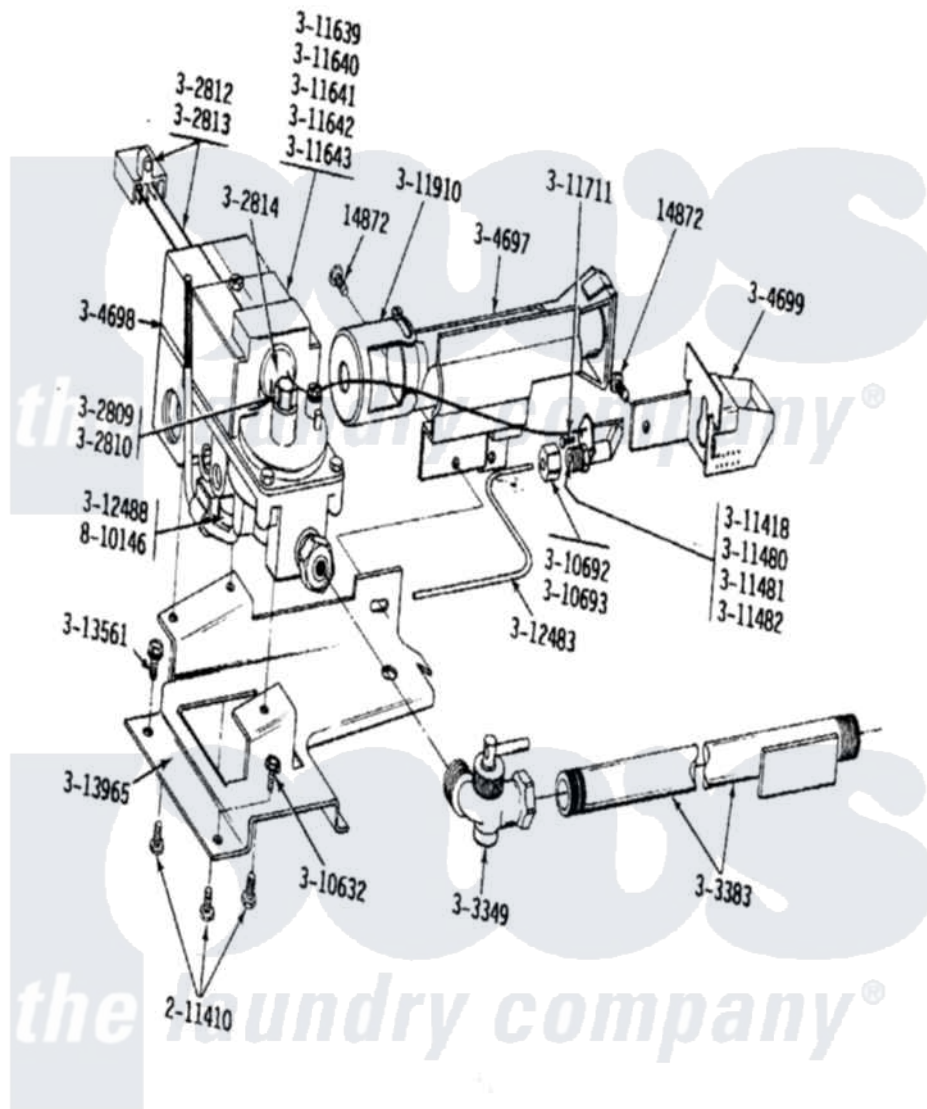


# Maytag GDG23CD 09 - 50HZ GAS VALVE



Maytag Residential Maytag GDG23CD Dryer Parts Parts Diagram 09 - 50HZ GAS VALVE  
 Click on the part number to view part

Item	Original Part Number	Replaced By	Status	Part Description
001	<a href="#">Y014872</a>			Screw, Coin Meter Stop -
NI	NLA		Not Available	SCREW, HEX HD No.8 X 3/8 INCH
"	NLA		Not Available	CONVERSION KIT (NAT.TO LPG)
"	<a href="#">301539</a>			Conversion Kit
"	NLA		Not Available	SCREW ASSEMBLY, LEAK LIMIT
"	NLA		Not Available	SCREW ASSM - BLUE BLOCK OPE
007	<a href="#">Y302812</a>			Main Burner Solenoid
008	Y302813		Not Available	MAIN BURN. SOLENOID (240-50)
NI	NLA		Not Available	PILOT WITH PRESSURE SWITCH
010	<a href="#">Y303349</a>			Angle Shut-Off, Gas Valve
011	Y303383	<a href="#">33001735</a>		Pipe And Bracket Assembly Series 18 Not Needed Use Vavle

012	Y304697			BURNER ASSEMBLY
013	Y304698		Not Available	GAS VALVE (240-50)
NI	NLA		Not Available	PILOT SHIELD ASSEMBLY
015	Y310632	<a href="#">1163839</a>		Screw
016	310692		Not Available	COMPRESSION NUT
017	Y310693		Not Available	COMPRESSION SLEEVE
018	<a href="#">Y311418</a>			Pilot Orifice
019	<a href="#">Y311480</a>			Pilot Orifice
NI	NLA		Not Available	PILOT ORIFICE (MFG.)
021	<a href="#">Y311482</a>			Pilot Orifice
022	Y311639	<a href="#">63-3570</a>		Burner Orifice
NI	NLA		Not Available	ORIFICE FOR MAIN BURNER
"	NLA		Not Available	ORIFICE FOR MAIN BURNER
"	NLA		Not Available	ORIFICE, MAIN BURNER (MFG)
"	NLA		Not Available	ORIFICE FOR MAIN BURNER
027	<a href="#">Y311711</a>			Screw, Fuse Block
NI	NLA		Not Available	AIR SHUTTER
029	Y312483			PILOT TUBE
NI	NLA		Not Available	GASKET FOR PILOT
031	<a href="#">Y313561</a>			Screw---NA
NI	NLA		Not Available	GAS CONTROL BRACKET
"	NLA		Not Available	GAS BURNER INSTRUCT LABEL
"	NLA		Not Available	SCREW

*the laundry company*<sup>®</sup>

*the laundry company*<sup>®</sup>