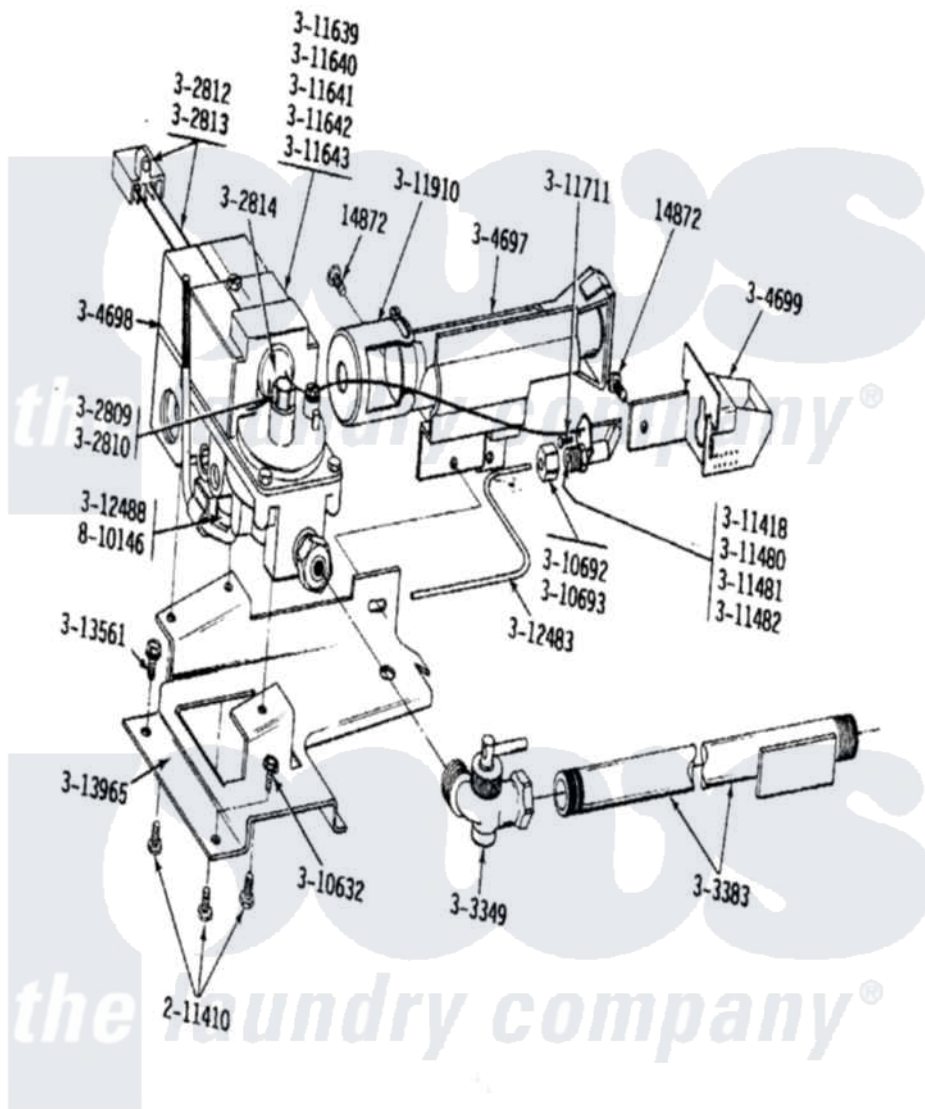


Maytag GDG24CT 10 - 50HZ GAS VALVE



Maytag [Residential Maytag GDG24CT Dryer Parts](#) Parts Diagram 10 - 50HZ GAS VALVE
 Click on the part number to view part

Item	Original Part Number	Replaced By	Status	Part Description
001	Y014872			Screw, Coin Meter Stop -
NI	NLA		Not Available	SCREW, HEX HD No.8 X 3/8 INCH
"	NLA		Not Available	CONVERSION KIT (NAT.TO LPG)
"	301539			Conversion Kit
"	NLA		Not Available	SCREW ASSEMBLY, LEAK LIMIT
"	NLA		Not Available	SCREW ASSM - BLUE BLOCK OPE
007	Y302812			Main Burner Solenoid
008	Y302813		Not Available	MAIN BURN. SOLENOID (240-50)
NI	NLA		Not Available	PILOT WITH PRESSURE SWITCH
010	Y303349			Angle Shut-Off, Gas Valve
011	Y303383	33001735		Pipe And Bracket Assembly Series 18 Not Needed Use Vavle

012	Y304697			BURNER ASSEMBLY
013	Y304698		Not Available	GAS VALVE (240-50)
NI	NLA		Not Available	PILOT SHIELD ASSEMBLY
015	Y310632	1163839		Screw
016	310692		Not Available	COMPRESSION NUT
017	Y310693		Not Available	COMPRESSION SLEEVE
018	Y311418			Pilot Orifice
019	Y311480			Pilot Orifice
NI	NLA		Not Available	PILOT ORIFICE (MFG.)
021	Y311482			Pilot Orifice
022	Y311639	63-3570		Burner Orifice
NI	NLA		Not Available	ORIFICE FOR MAIN BURNER
"	NLA		Not Available	ORIFICE FOR MAIN BURNER
"	NLA		Not Available	ORIFICE, MAIN BURNER (MFG)
"	NLA		Not Available	ORIFICE FOR MAIN BURNER
027	Y311711			Screw, Fuse Block
NI	NLA		Not Available	AIR SHUTTER
029	Y312483			PILOT TUBE
NI	NLA		Not Available	GASKET FOR PILOT
031	Y313561			Screw---NA
NI	NLA		Not Available	GAS CONTROL BRACKET
"	NLA		Not Available	GAS BURNER INSTRUCT LABEL
"	NLA		Not Available	SCREW

