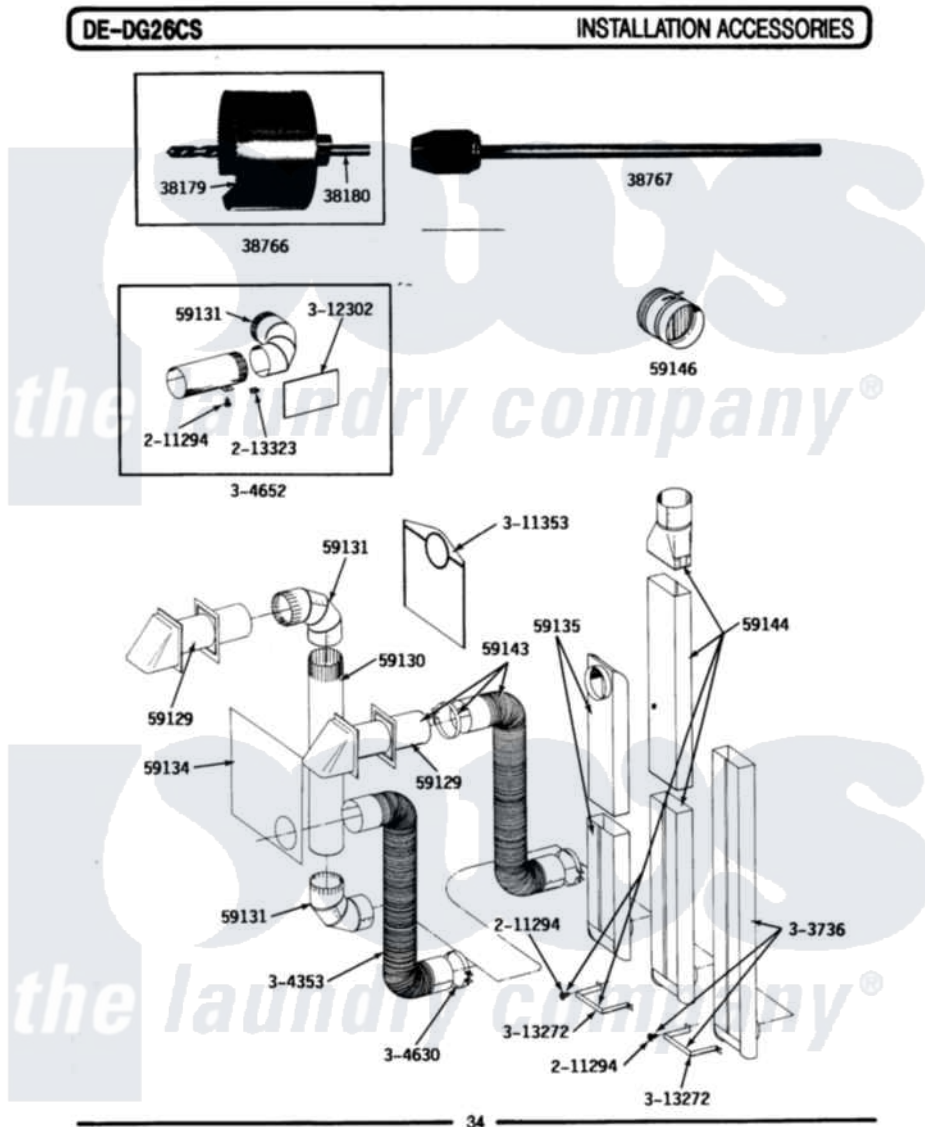


# Maytag GDG26CS 09 - INSTALLATION ACCESSORIES



Maytag Residential Maytag GDG26CS Dryer Parts Parts Diagram 09 - INSTALLATION ACCESSORIES  
 Click on the part number to view part

Item	Original Part Number	Replaced By	Status	Part Description
001	NLA		Not Available	BLADE, SAW
002	NLA		Not Available	REPLACEMENT DRILL
003	NLA		Not Available	HOLE SAW W/DRILL BIT
004	NLA		Not Available	EXTENSION CHUCK, DRILL
005	Y059129	<a href="#">4396007RW</a>		Vent Hood
006	<a href="#">Y059130</a>			Pipe, Venting
007	<a href="#">Y059131</a>			Elbow, Venting
008	Y059134			PLATE, ALUM. WINDOW (15" X 20")
009	<a href="#">Y059135</a>			Vent Duct Assembly
010	<a href="#">Y059143</a>			Flexible Vent Kit
011	NLA		Not Available	RECTANGULAR VENT KIT
012	NLA		Not Available	DAMPER, BACK DRAFT
013	211294	<a href="#">90767</a>		Screw, 8A X 3/8 Hex Washer Head Tapping
014	<a href="#">213323</a>			Fastener, Exhaust Duct Kit
015	NLA		Not Available	EXHAUST DEFLECTOR KIT

016	Y304353	<a href="#">4396010RP</a>	6ft Scvent
017	<a href="#">Y304630</a>		Clamp, Flexible Duct
018	<a href="#">Y304652</a>		Exhaust Duct Kit
019	311353	Not Available	BAG, LINT (DACRON)
020	<a href="#">312302</a>		Insulation, Exhaust Duct Kit
021	NLA	Not Available	BRACKET, EXHAUST DEFLECTOR

