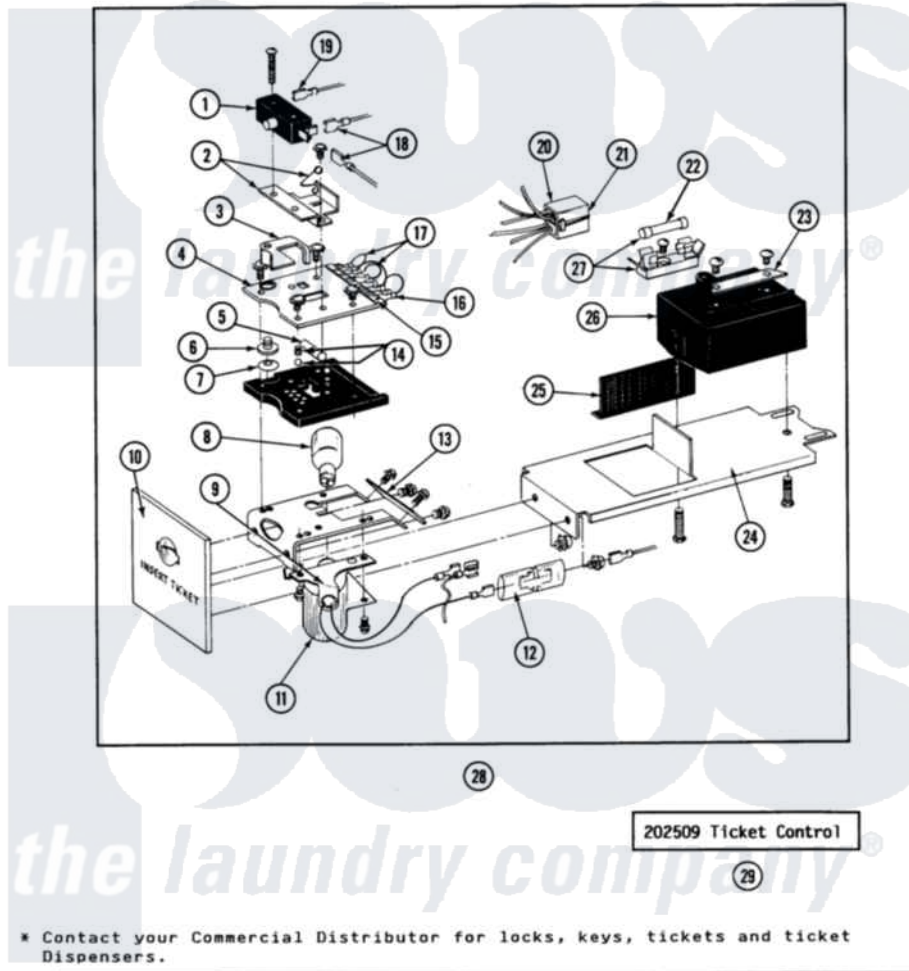


Maytag GDG27CT 06 - CONTROL CENTER COMPONENTS

SECTION: CT CONTROL CENTER COMPONENTS
 MODEL: DE-DG27CT



Issue Date: 10/90

Maytag [Residential Maytag GDG27CT Dryer Parts](#) Parts Diagram 06 - CONTROL CENTER COMPONENTS
 Click on the part number to view part

Item	Original Part Number	Replaced By	Status	Part Description
001	204882		Not Available	SWITCH FOR TICKET CONTROL
"	NLA		Not Available	SCREW
002	204881			Cam Plate Assembly
"	NLA		Not Available	SEMS SCREW (No.4-40 X 1/2 INC)
003	214218			Lever, Switch
004	212452			Board, Circuit
"	NLA		Not Available	SEMS SCREW (No.4-40 X 1/2 INC)
005	214275			Roller For Cam
006	214220			Adjustment Thumb Wheel
007	NLA		Not Available	SPRING WASHER
008	202479	A3167501		Lamp Oven, Int.
009	NLA		Not Available	LAMP SOCKET WITH BRACKET
010	212519	488234		Screw 8-32 X 1/4
"	NLA		Not Available	FRONT PLATE F/TICKET

	NLA	Not Available	CONTR
011	212533		SHIELD FOR HEAT LAMP
"	NLA	Not Available	SCREW, SHIELD TO CONTROL
012	Y201110	Not Available	CONNECTOR, WIRE (INDIC. LIGHT)
013	NLA	Not Available	SCREW, SHIELD TO CONTROL
014	203140		Contact Ball Kit
015	NLA	Not Available	OVERLAY FOR CIRCUIT BOARD
016	Y311550	Not Available	SPADE (MINIATURE)
017	NLA	Not Available	JUMPER WIRE (BLACK)
018	NLA	Not Available	SPADE CONNECTOR
019	211737	248562	Terminal
020	NLA	Not Available	HARNESS FOR TICKET CONTROL
021	213074		Pin Receptacle For Plug
"	NLA	Not Available	PIN FOR PLUG
022	202713	22001555	Fuse
023	311612	Not Available	COVER, CIRCUIT BOARD TERMINALS
"	311613	Y311711	Screw, Fuse Block
024	211294	90767	Screw, 8A X 3/8 HeX Washer Head Tapping
"	NLA	Not Available	BRACKET FOR TICKET ASSEMBLY
025	NLA	Not Available	SHIELD
026	202477	22003292	Control As
027	NLA	Not Available	FUSE BLOCK WITH FUSE
028	NLA	Not Available	TICKET RECEIVER ASSEMBLY
029	202509		Ticket Control Assembly

