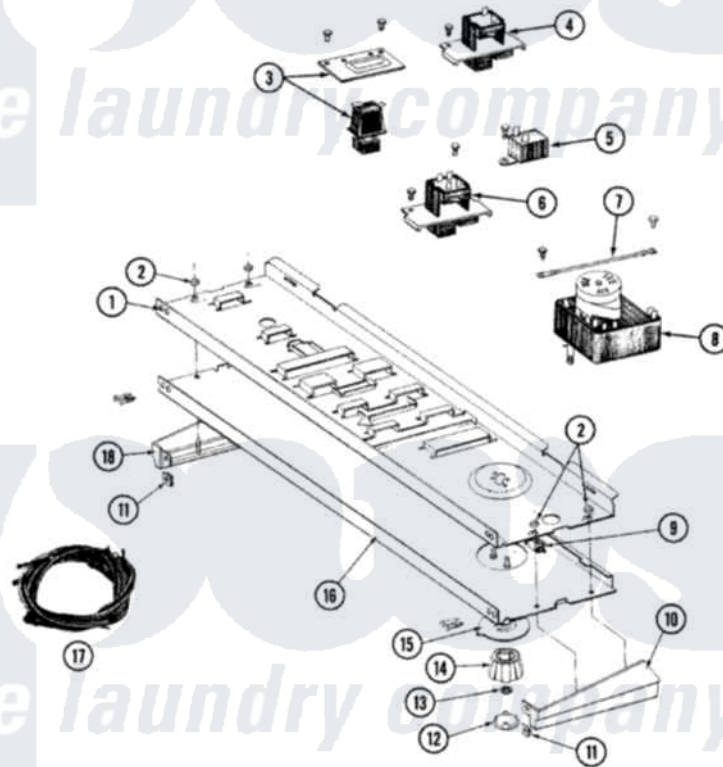
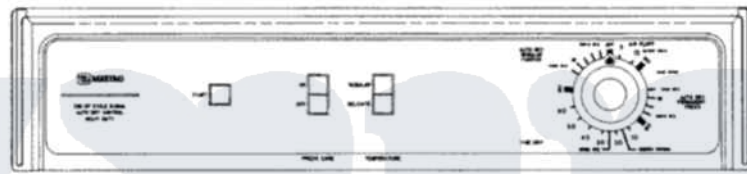


# Maytag GDG8600 01 - CONTROL PANEL

SECTION: CONTROL PANEL  
MODEL: DE-DG8600



Issue Date: 6/90

28

Maytag [Residential Maytag GDG8600 Dryer Parts](#) Parts Diagram 01 - CONTROL PANEL  
Click on the part number to view part

| Item | Original Part Number   | Replaced By               | Status | Part Description                        |
|------|------------------------|---------------------------|--------|---|
| 1    | <a href="#">314184</a> |                           |        | Back Up Plate                           |
| 2    | <a href="#">214872</a> |                           |        | Palnut, End Cap Note: Nut, Lamp Holder  |
| 3    | 211168                 | <a href="#">W10139210</a> |        | Screw, 8-18 X 5/16                      |
| "    | <a href="#">307305</a> |                           |        | Switch Push To Start                    |
| 4    | <a href="#">207365</a> |                           |        | 2 Button Switch                         |
| "    | 211168                 | <a href="#">W10139210</a> |        | Screw, 8-18 X 5/16                      |
| 5    | 211168                 | <a href="#">W10139210</a> |        | Screw, 8-18 X 5/16                      |
| "    | 305205                 | <a href="#">694419</a>    |        | Mini-Buzzer                             |
| 6    | <a href="#">307310</a> |                           |        | Press Care Switch                       |
| "    | 211168                 | <a href="#">W10139210</a> |        | Screw, 8-18 X 5/16                      |
| 7    | 211294                 | <a href="#">90767</a>     |        | Screw, 8A X 3/8 HeX Washer Head Tapping |
| "    | <a href="#">204807</a> |                           |        | Ground Wire, Supp. Plte To Top Cover    |
| 8    | <a href="#">306545</a> |                           |        | Timer                                   |
| "    | 910708                 | <a href="#">488234</a>    |        | Screw 8-32 X 1/4                        |

|    |                        |               |  |
|----|------------------------|---------------|--|
| 9  | <a href="#">214897</a> |               | Pad, Control Panel                                 |
| 10 | <a href="#">210932</a> |               | Screw, No.8 X 9/16 Ctsk Note:<br>Screw, Inlet Duct |
| "  | 207216                 | Not Available | END CAP RH   |
| 11 | <a href="#">214894</a> |               | Fastener, End Cap                                  |
| 12 | 215821                 | Not Available | CAP, KNOB  |
| 13 | <a href="#">312273</a> |               | Nut, Control Knob                                  |
| 14 | <a href="#">315041</a> |               | Knob, Timer  |
| 15 | <a href="#">315042</a> |               | Dial Skirt   |
| 16 | <a href="#">307323</a> |               | Control Panel                                      |
| "  | <a href="#">210932</a> |               | Screw, No.8 X 9/16 Ctsk Note:<br>Screw, Inlet Duct |
| 17 | 307289                 | Not Available | WIRE HARNESS                                       |
| 18 | 207215                 | Not Available | END CAP LH   |

*the laundry company*<sup>®</sup>

*the laundry company*<sup>®</sup>

*the laundry company*<sup>®</sup>