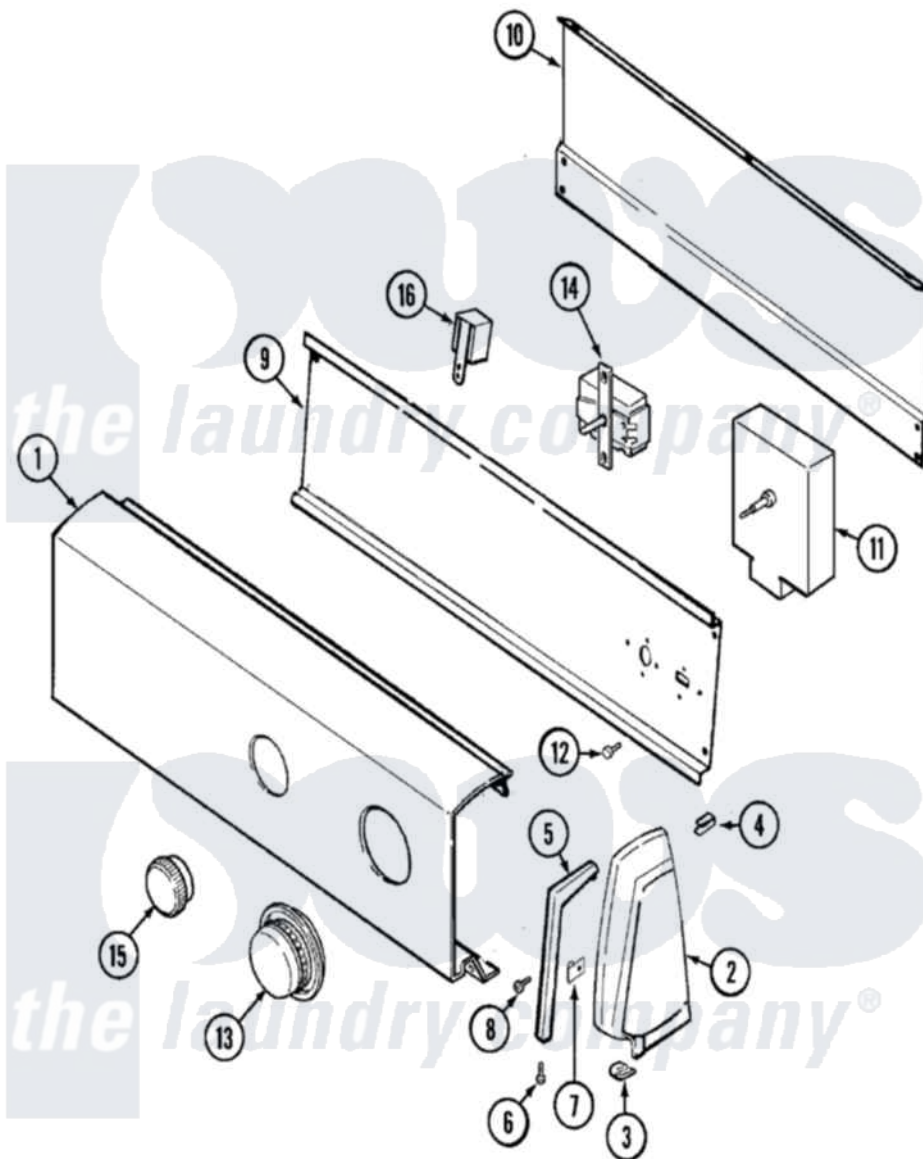


# Maytag GDGM253ALP 01 - CONTROL PANEL



Maytag [Residential Maytag GDGM253ALP Dryer Parts](#) Parts Diagram 01 - CONTROL PANEL  
 Click on the part number to view part

| Item | Original Part Number    | Replaced By              | Status        | Part Description                    |
|------|-------------------------|--------------------------|---------------|-------------------------------------|
| 1    | 53-1693                 |                          | Not Available | CONTROL PANEL                       |
| 2    | <a href="#">25-7702</a> |                          |               | Speedclip, End Cap To Control Panel |
| "    | 25-7649                 | <a href="#">910187</a>   |               | Screw                               |
| "    | 25-7697                 | <a href="#">25-2219</a>  |               | Screw                               |
| "    | <a href="#">25-7851</a> |                          |               | Speedclip, End Cap To Top           |
| "    | 35-2487                 | <a href="#">21001451</a> |               | Cap- End                            |
| "    | 35-2488                 | <a href="#">21001452</a> |               | Cap- End                            |
| 3    | <a href="#">25-7851</a> |                          |               | Speedclip, End Cap To Top           |
| "    | 25-7697                 | <a href="#">25-2219</a>  |               | Screw                               |
| 4    | 25-7435                 | <a href="#">33002917</a> |               | Screw, No.10-16                     |
| "    | <a href="#">25-7852</a> |                          |               | Speedclip, Rr Shld To End Cap       |
| 5    | 53-0277                 |                          | Not Available | TRIM, END CAP (RT)                  |
| "    | 53-0278                 |                          | Not Available | TRIM, END CAP (LT)                  |
| 6    | <a href="#">25-7760</a> |                          |               | Screw                               |
| 7    | <a href="#">25-7702</a> |                          |               | Speedclip, End Cap To Control       |

|    |                          |                          |               |   |
|----|--------------------------|--------------------------|---------------|---|
| 7  | <a href="#">25-1192</a>  |                          |               | Panel                                   |
| 8  | 25-3092                  | <a href="#">90767</a>    |               | Screw, 8A X 3/8 HeX Washer Head Tapping |
| 9  | 31001146                 | <a href="#">31001193</a> |               | Pad, Shield                             |
| "  | 31001128                 |                          | Not Available | SHIELD, CONTROL                         |
| "  | <a href="#">53-1676</a>  |                          |               | Shield, Control                         |
| 10 | 35-2688                  | <a href="#">21001460</a> |               | Shield, Rear                            |
| 11 | <a href="#">53-1814</a>  |                          |               | Timer                                   |
| 12 | 25-0205                  | <a href="#">216412</a>   |               | Screw, Bracket To Timer                 |
| 13 | 53-1530                  | <a href="#">31001219</a> |               | Knob Ski                                |
| 14 | 53-0344                  |                          | Not Available | SWITCH, TEMPERATURE                     |
| "  | 25-3092                  | <a href="#">90767</a>    |               | Screw, 8A X 3/8 HeX Washer Head Tapping |
| "  | <a href="#">31001129</a> |                          |               | Switch, Temperature                     |
| 15 | 35-2186                  |                          | Not Available | KNOB, SELECTOR                          |
| 16 | <a href="#">53-1639</a>  |                          |               | Buzzer Assembly                         |
| "  | 25-3092                  | <a href="#">90767</a>    |               | Screw, 8A X 3/8 HeX Washer Head Tapping |
| 17 | 53-1685                  | <a href="#">53-2540</a>  |               | Transformer And Terminal Assembly       |
| 18 | 63-5577-2                |                          | Not Available | MANUAL, USE & CARE                      |
| "  | 53-1695                  |                          | Not Available | MANUAL, USE & CARE                      |

