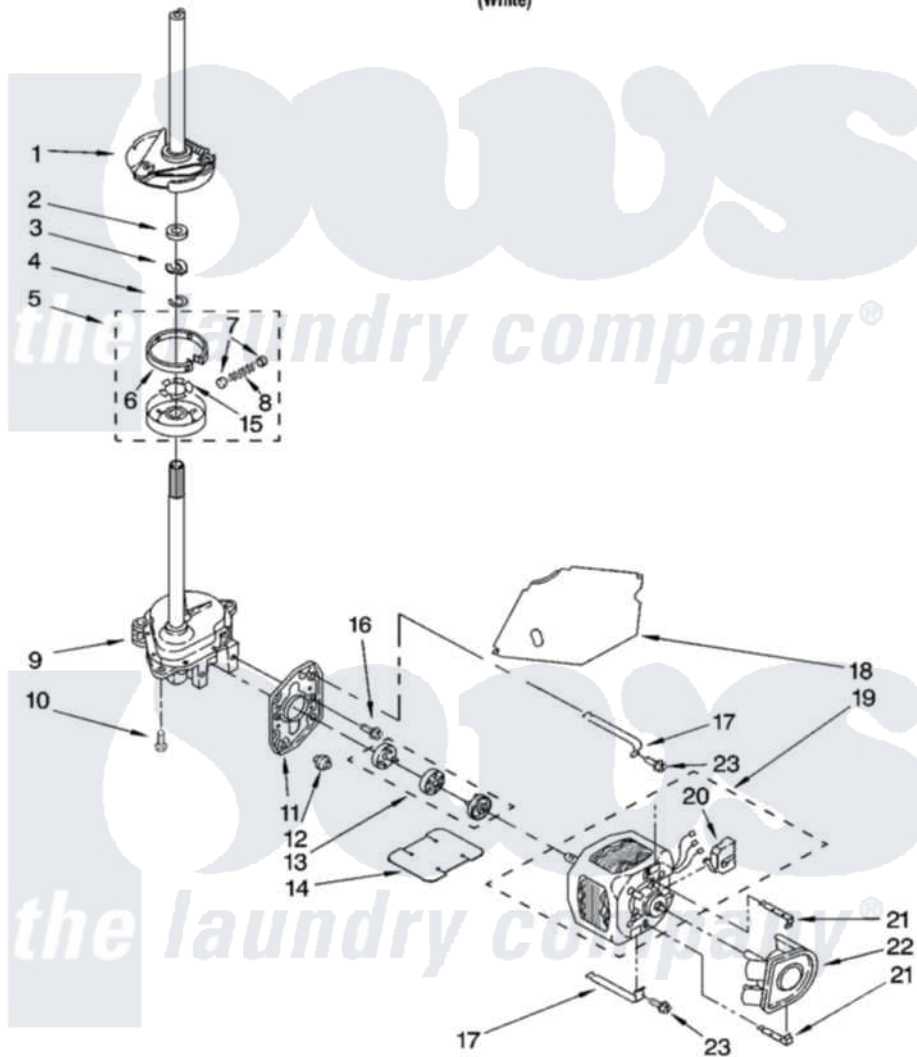


Maytag HTW4300TQ0 04 - BRAKE, CLUTCH, GEARCASE, MOTOR AND PUMP PARTS

BRAKE, CLUTCH, GEARCASE, MOTOR AND PUMP PARTS

For Model: HTW4300TQ0
(White)



IMPORTANT: All Part Numbers Listed Are Whirlpool Numbers. Source Parts Through Whirlpool.

W10120002

7

Maytag [Residential Maytag HTW4300TQ0 Washer Parts](#) Parts Diagram 04 - BRAKE, CLUTCH, GEARCASE, MOTOR AND PUMP PARTS

[Click on the part number to view part](#)

Item	Original Part Number	Replaced By	Status	Part Description
1	388952	285792		Basketdrive
2	63292			Washer, Spin Tube Thrust
3	62697	W10080230		Ring, Spin Tube Support
4	63283	285353		Ring
5	3951311	285785		Clutch
6	3951308	285790		Lining
7	62646			Cap, Clutch Spring
8	3946792			Spring And Damper Assembly
9	3360630	3360629		Gearcase
10	3357334	3400516		Screw Anti-Rattle
11	62611			Plate, Motor Mount To Gearcase
12	62691			Grommet, Motor
13	8559748	285753A		Coupling
14	3946532			Shield, Motor

15	3355454		Clip, Main Drive
16	3400516		Screw Anti-Rattle
17	3349637	W10086010	Retainer, Motor
18	3362089		Shield, Tub To Motor
19	8528158	661600	Motor, Main Drive
20	3952056		Switch, Main Drive Motor
21	8546127		Retainer, Pump
22	3363394		Pump
23	3387485	273556	Screw, 10-16 X 5/8

