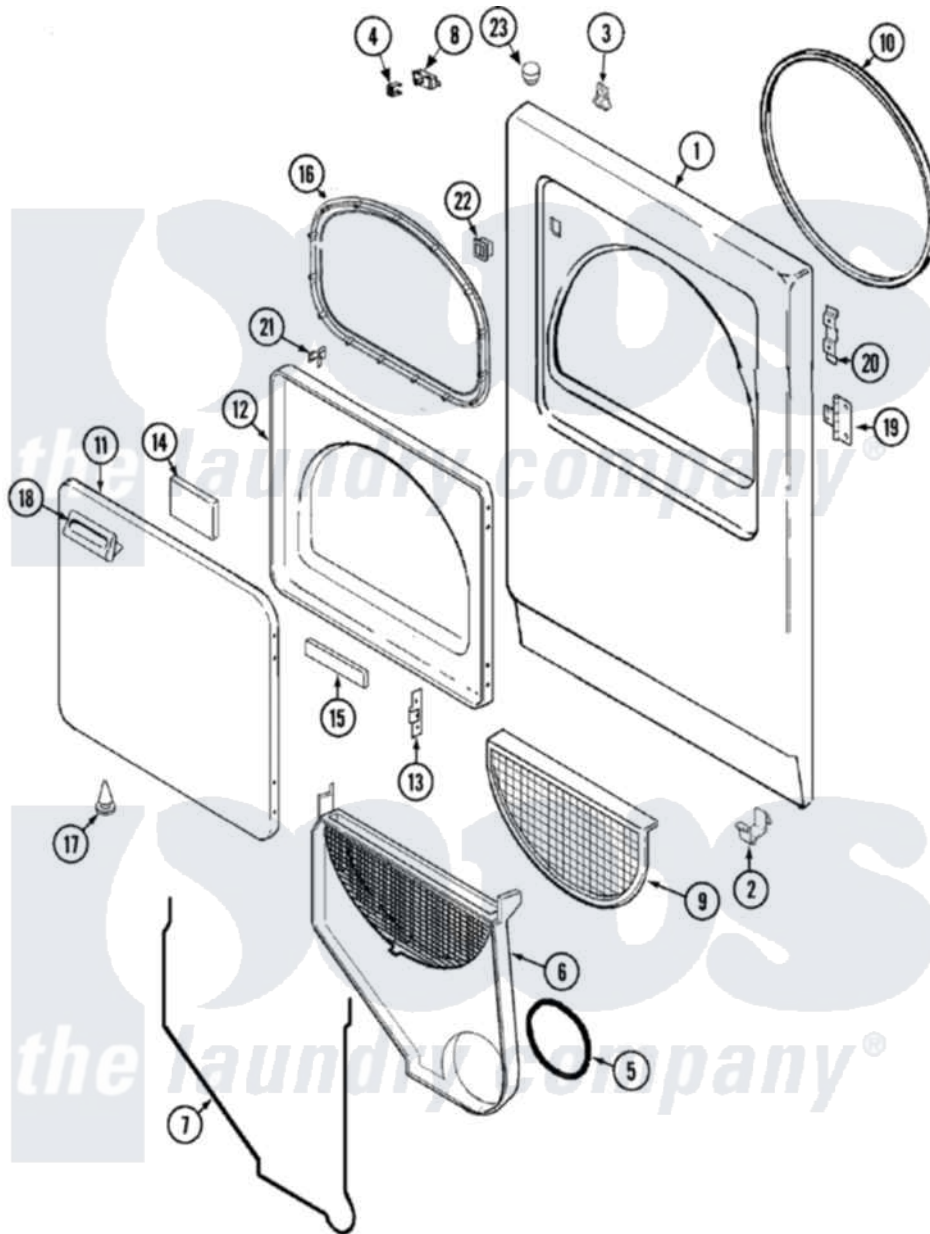


# Maytag HYG3657AWW 04 - DOOR (SERIES 14 EXCEPT HYE3658AZW)



Maytag Residential Maytag HYG3657AWW Dryer Parts Diagram 04 - DOOR (SERIES 14 EXCEPT HYE3658AZW)

Click on the part number to view part

Item	Original Part Number	Replaced By	Status	Part Description
1	<a href="#">31001771</a>			Panel, Front
2	<a href="#">53-0120</a>			Clip, Front Panel
3	<a href="#">31001526</a>			Lock, Top
4	<a href="#">31001733</a>			Clip, Switch
5	<a href="#">31001541</a>			Seal, Blower/Collector Duct
6	25-7810	<a href="#">415013-35</a>		Screw
"	<a href="#">12001324</a>			Duct Kit, Collector
7	<a href="#">53-0204</a>			Seal
8	31001732	<a href="#">53-0148</a>		Switch, Door
9	<a href="#">53-0918</a>			Filter, Lint
10	<a href="#">31001637</a>			Seal Assembly, Cylinder Front
11	25-7752	<a href="#">3196169</a>		Screw, Element
"	<a href="#">53-0154</a>			Panel, Outer Door
12	53-0912		Not Available	PANEL, INNER DOOR (WHT)
13	<a href="#">53-0119</a>			Clip, Hinge
14	<a href="#">53-1490</a>			Door Pad

15	<a href="#">53-1491</a>		Door Pad
16	<a href="#">31001529</a>		Seal, Door
17	<a href="#">25-7889</a>		Plug Button
18	25-7810	<a href="#">415013-35</a>	Screw
"	<a href="#">53-0927</a>		Handle, Door
19	<a href="#">53-1492</a>		Hinge, Dryer Door
"	<a href="#">25-7809</a>		Screw, No.6-20 1/2 Flthd Torx
20	31001786	<a href="#">98006631</a>	Screw
"	53-0121	Not Available	TWIN NUT
21	53-2364	<a href="#">LA-1003</a>	Door Catch Kit
22	53-0187	<a href="#">LA-1003</a>	Door Catch Kit
23	<a href="#">33-2653</a>		Bumper, Cabinet

*the laundry company*<sup>®</sup>

*the laundry company*<sup>®</sup>

*the laundry company*<sup>®</sup>