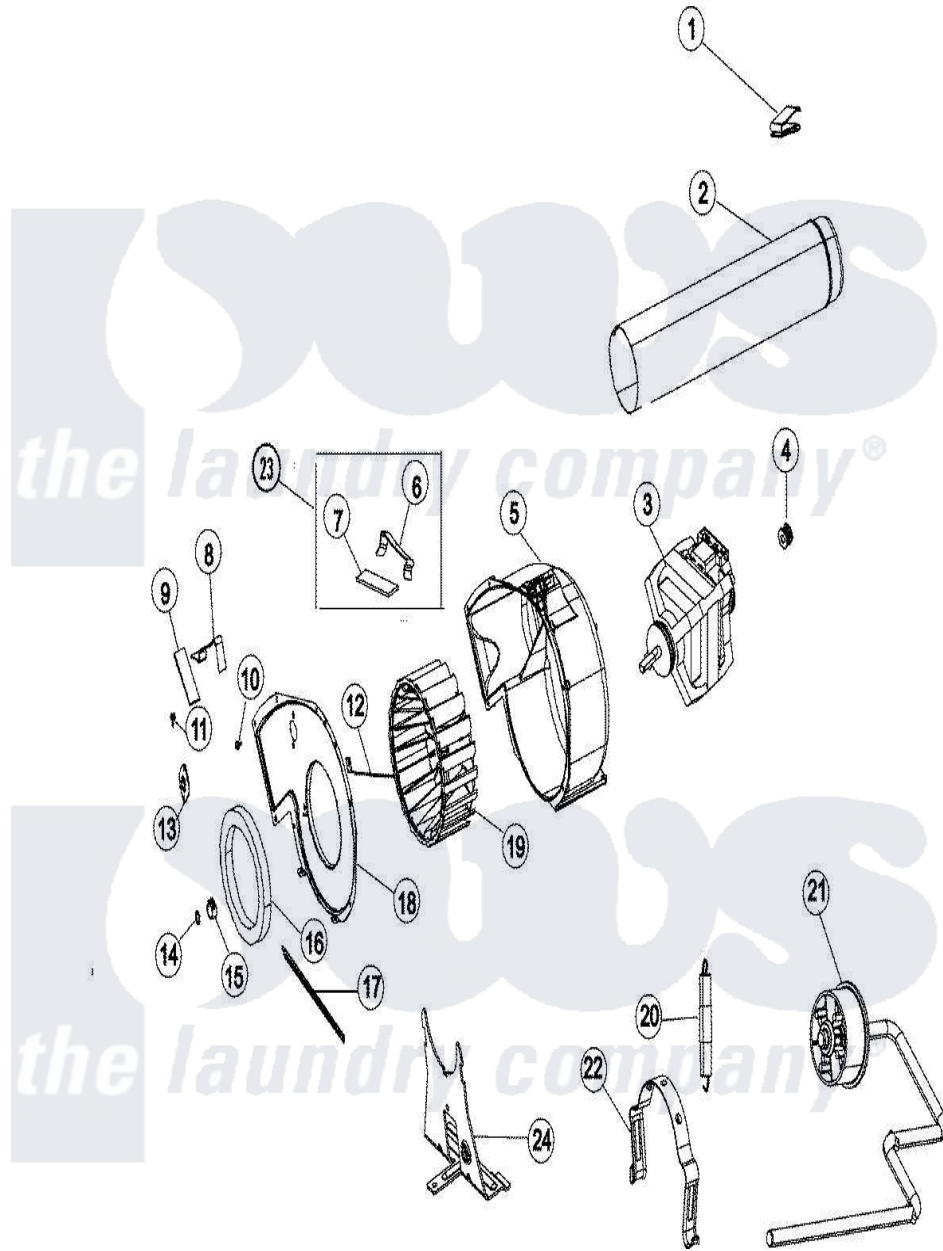


Maytag HYG3657AWW 06 - MOTOR & DRIVE



Maytag Residential Maytag HYG3657AWW Dryer Parts Parts Diagram 06 - MOTOR & DRIVE
 Click on the part number to view part

| Item | Original Part Number | Replaced By | Status | Part Description |
|------|--------------------------|---------------------------|--------|------------------------|
| 1 | 31001572 | | | Clip, Vent Pipe Ground |
| 2 | 53-0134 | | | Duct, Exhaust |
| 3 | 31001589 | W10410996 | | Motor-Drive |
| " | 25-7733 | 681414 | | Screw, 10AB X 1/2 |
| 4 | 31001535 | | | Pulley, Motor |
| 5 | 53-1801 | | | Housing, Blower |
| 6 | 31001470 | | | Glide, Tumbler |
| 7 | 31001356 | | | Pad, Glide |
| 8 | 31001469 | | | Glide, Tumbler |
| 9 | 31001356 | | | Pad, Glide |
| 10 | 25-7807 | 33002917 | | Screw, No.10-16 |
| 11 | 25-7890 | 489478 | | Screw, 8 X 1/2 |
| 12 | 53-1026 | | | Guide, Vane Inlet |
| 13 | 25-2134 | W10116760 | | Screw |
| " | 31001088 | | | Thermostat, Control |
| 14 | 25-7855 | | | Ring, Retaining |

| | | | |
|----|--------------------------|------------------------|--|
| 15 | 25-7823 | 312967 | Clamp, Blower Housing |
| 16 | 31001541 | | Seal, Blower/Collector Duct |
| 17 | 53-1625 | | Brace, Tumbler Support |
| 18 | 53-1934 | | Cover, Blower Housing |
| 19 | 31001317 | | Wheel, Blower |
| 20 | 31001465 | | Spring, Idler |
| 21 | 31001710 | | Idler Arm Assembly |
| 22 | 53-0214 | 660658 | Clamp, Motor Mounting 343481 685441 |
| 23 | LA-1006 | | Glide Kit, Tumbler |
| 24 | 31001570 | | Bracket, Motor |
| " | 31001571 | | Screw, 10-24 x 0700 Hxwshrd Ty |

the laundry company[®]

the laundry company[®]

the laundry company[®]