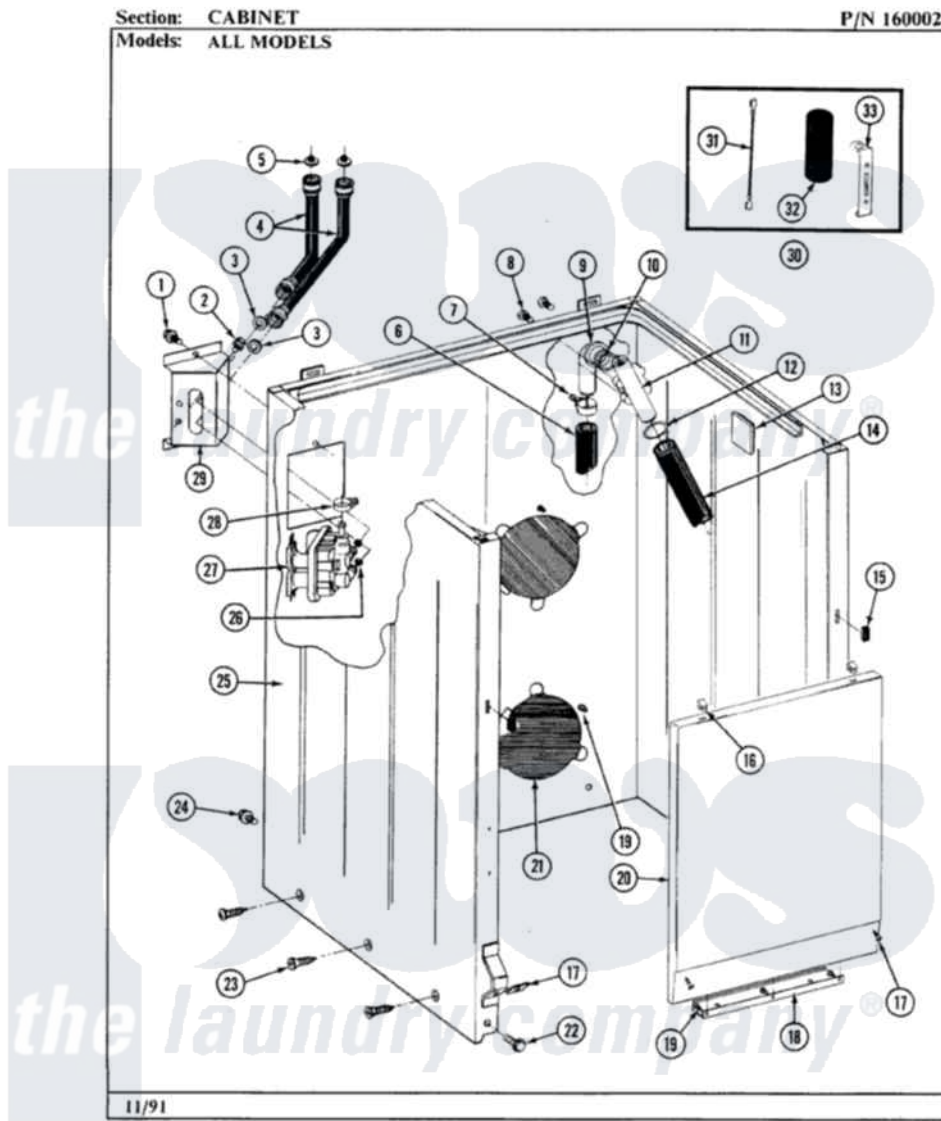


Maytag LA190 02 - CABINET



16

Maytag Residential Maytag LA190 Washer Parts Parts Diagram 02 - CABINET
Click on the part number to view part

| Item | Original Part Number | Replaced By | Status | Part Description |
|------|-------------------------|---------------------------|--------|-----------------------------|
| 1 | 212276 | W10116760 | | Screw |
| 2 | Y313561 | | | Screw---NA |
| 3 | Y013783 | | | Washer, Inlet Hose |
| 4 | 202860 | | | Inlet Hose Assembly |
| 5 | 200961 | 12001413 | | Strainer And Washer Kit |
| 6 | 215279 | 22003410 | | Hose, Drain |
| 7 | 200461 | 285655 | | Clamp, Hose |
| 8 | Y014874 | | | Screw, Idler Arm And Sleeve |
| 9 | 214764 | 208847 | | Elbow |
| 10 | 214765 | | | Gasket, Siphon Break |
| 11 | 206638 | | | Siphon Break |
| 12 | 200461 | 285655 | | Clamp, Hose |
| 13 | 215058 | | | Pad, Cabinet Bumper |
| 14 | 214767 | 22001448 | | Hose, Pump |
| 15 | 214376 | 22002331 | | Spacer, Front Panel |
| 16 | 212982 | 22001650 | | Fastener, Spring |

| | | | |
|----|-------------------------|--------------------------|---|
| 17 | 204439 | | Screw And Fstner Assembly |
| 18 | 213846 | | Guard, Belt |
| 19 | 211294 | 90767 | Screw, 8A X 3/8 HeX Washer Head Tapping |
| 20 | 212998L | | Not Available FRONT PANEL-ALMOND |
| 21 | 211878 | | Not Available PLATE, ACCESS |
| 22 | 213122 | 27001200 | Screw |
| 23 | 213007 | | Xfor Cabinet See Cabinet, Back |
| 24 | 213121 | 3400111 | Screw, 12-14 X 5/8 |
| 25 | 203319L | | Not Available (ALMOND) |
| 26 | 214337 | 96160 | Screen |
| 27 | 205613 | | Water Valve |
| 28 | 201575 | | Clamp, Hose |
| 29 | 214812 | 22002361 | Bracket, Water Valve |
| 30 | 206103 | | Capacitor Kit |
| 31 | 203237 | | No.17 Wire With Terminal |
| 32 | Y200832 | | Capacitor |
| 33 | 211149 | | Clip, Capacitor |

