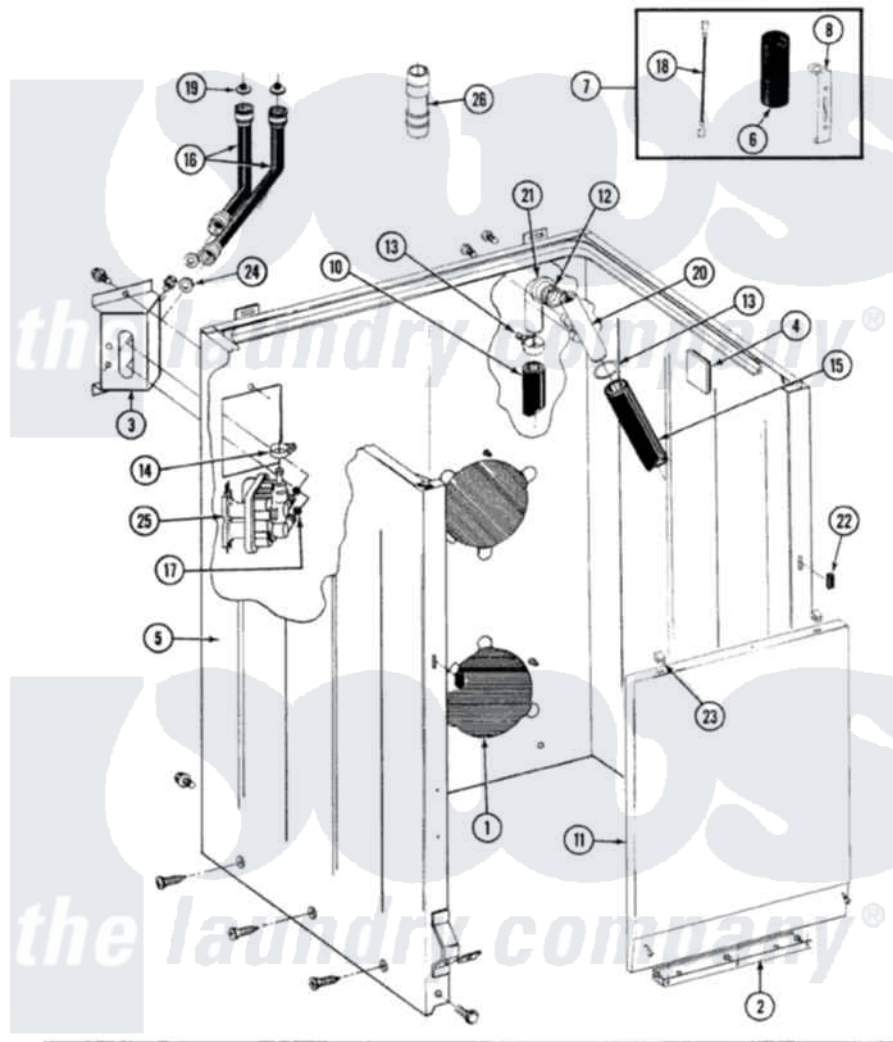


Maytag LA1910 02 - CABINET, WATER VALVE, HOSES & FRNT PANEL

SECTION: CABINET, WATER VALVE, HOSES & FRONT PANEL

MODEL: ALL MODELS



Issue Date: 6/90

32

Maytag [Residential Maytag LA1910 Washer Parts](#) Parts Diagram 02 - CABINET, WATER VALVE, HOSES & FRNT PANEL

[Click on the part number to view part](#)

Item	Original Part Number	Replaced By	Status	Part Description
1	211294	90767		Screw, 8A X 3/8 HeX Washer Head Tapping
"	211878		Not Available	PLATE, ACCESS
2	211294	90767		Screw, 8A X 3/8 HeX Washer Head Tapping
"	213846			Guard, Belt
3	212276	W10116760		Screw
"	214812	22002361		Bracket, Water Valve
4	215058			Pad, Cabinet Bumper
5	203319L		Not Available	(ALMOND)
"	204439			Screw And Fstner Assembly
"	213122	27001200		Screw
"	213121	3400111		Screw, 12-14 X 5/8
"	213007			Xfor Cabinet See Cabinet, Back
6	Y200832			Capacitor
7	206103			Capacitor Kit

8	211149		Clip, Capacitor
9	202861	202860	Inlet Hose Assembly
10	216017		Hose, Drain
"	Y059149		(7/8" I.D. CARTON OF 50 FT.)
"	215279	22003410	Hose, Drain
11	212998L	Not Available	FRONT PANEL-ALMOND
12	214765		Gasket, Siphon Break
13	200908	285655	Clamp, Hose
"	200461	285655	Clamp, Hose
14	201575		Clamp, Hose
15	214767	22001448	Hose, Pump
16	200688	76314	Hose, Inlet 6 Ft. Hose With Elbow
"	200672	76314	Hose, Inlet 6 Ft. Hose With Elbow
"	200681	21001467	Hose- 10'
"	202860		Inlet Hose Assembly
"	205828	202860	Inlet Hose Assembly
17	214337	96160	Screen
18	203237		No.17 Wire With Terminal
19	200961	12001413	Strainer And Washer Kit
20	Y014874		Screw, Idler Arm And Sleeve
"	206638		Siphon Break
21	Y216016	W10116738	Elbow
"	214764	208847	Elbow
22	214376	22002331	Spacer, Front Panel
23	212982	22001650	Fastener, Spring
24	Y013783		Washer, Inlet Hose
25	205613		Water Valve
"	212276	W10116760	Screw
26	Y216015		Coupling, Hose

