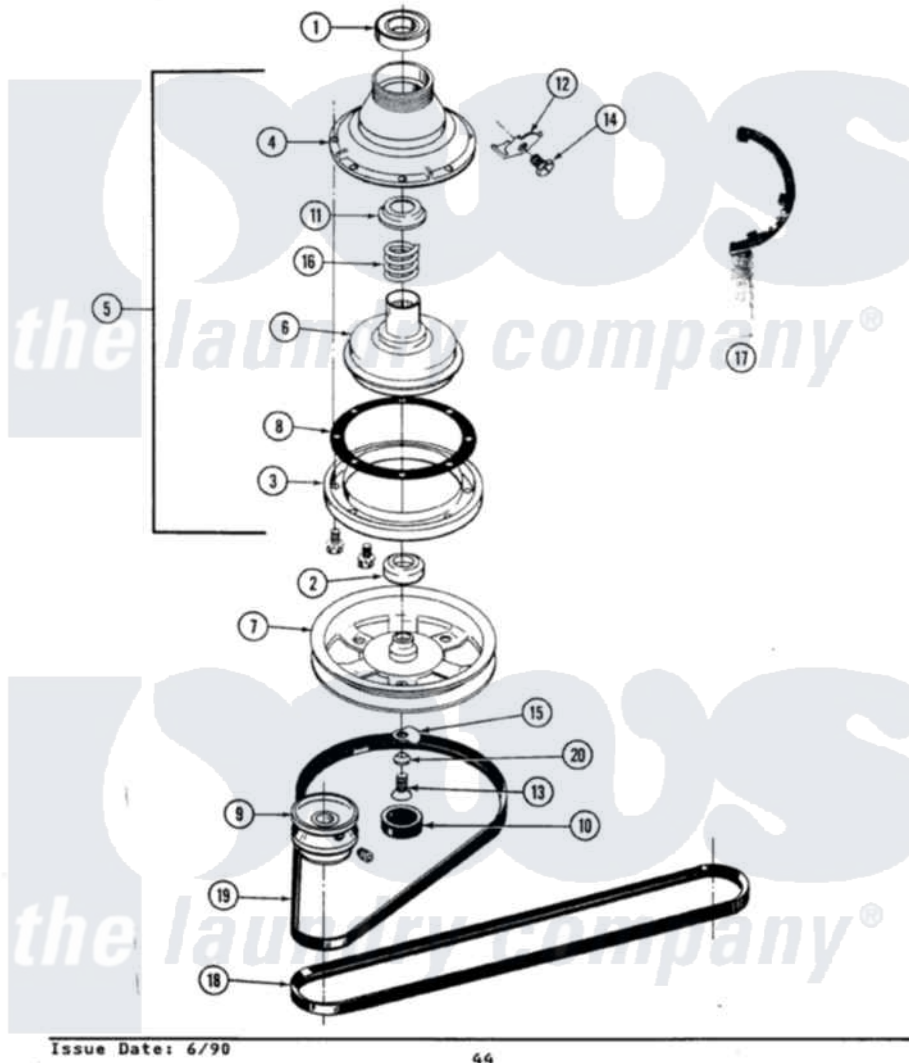


# Maytag LA1910 03 - CLUTCH, BRAKE & BELTS

SECTION: CLUTCH, BRAKE & BELTS  
 MODEL: ALL MODELS



Maytag Residential Maytag LA1910 Washer Parts Parts Diagram 03 - CLUTCH, BRAKE & BELTS  
 Click on the part number to view part

| Item | Original Part Number    | Replaced By               | Status        | Part Description             |
|------|-------------------------|---------------------------|---------------|------------------------------|
| 1    | Y200720                 | <a href="#">22003441</a>  |               | Bearing, Rear                |
| 2    | <a href="#">200835</a>  |                           |               | Bearing, Brake Rotor         |
| 3    | 211043                  | <a href="#">6-2011900</a> |               | Brake Asse                   |
| "    | 211000                  |                           |               | SCREW, BRAKE DRUM (HEX HEAD) |
| 4    | 211045                  | <a href="#">6-2011900</a> |               | Brake Asse                   |
| 5    | 201190                  | <a href="#">6-2011900</a> |               | Brake Asse                   |
| 6    | 201126                  | <a href="#">6-2011900</a> |               | Brake Asse                   |
| 7    | 211059                  | <a href="#">6-2301530</a> |               | Pulley                       |
| 8    | 211042                  | <a href="#">6-2011900</a> |               | Brake Asse                   |
| 9    | <a href="#">Y053241</a> |                           |               | Set Screw, Motor Pulley      |
| "    | 200816                  | <a href="#">6-2008160</a> |               | Pulley- MO                   |
| 10   | 211038                  |                           | Not Available | CAP, OIL RETAINER            |
| 11   | 211039                  | <a href="#">6-2011900</a> |               | Brake Asse                   |
| 12   | <a href="#">213325</a>  |                           |               | Clip, Retaining              |
| 13   | 211375                  | <a href="#">681582</a>    |               | Screw                        |
| 14   | <a href="#">213326</a>  |                           |               | Bolt, Sems Retaining Clip    |

|    |                        |                           |                      |
|----|------------------------|---------------------------|----------------------|
| 15 | <a href="#">211089</a> |                           | Lug, Stop Pulley     |
| 16 | 211041                 | <a href="#">6-2011900</a> | Brake Asse           |
| 17 | Y038315                | <a href="#">038315</a>    | Tool                 |
| 18 | <a href="#">211124</a> |                           | Part Not Used        |
| 19 | <a href="#">211125</a> |                           | V Belt, Drive Pulley |
| 20 | 211090                 | <a href="#">22003555</a>  | Washer, Stop Lug     |

