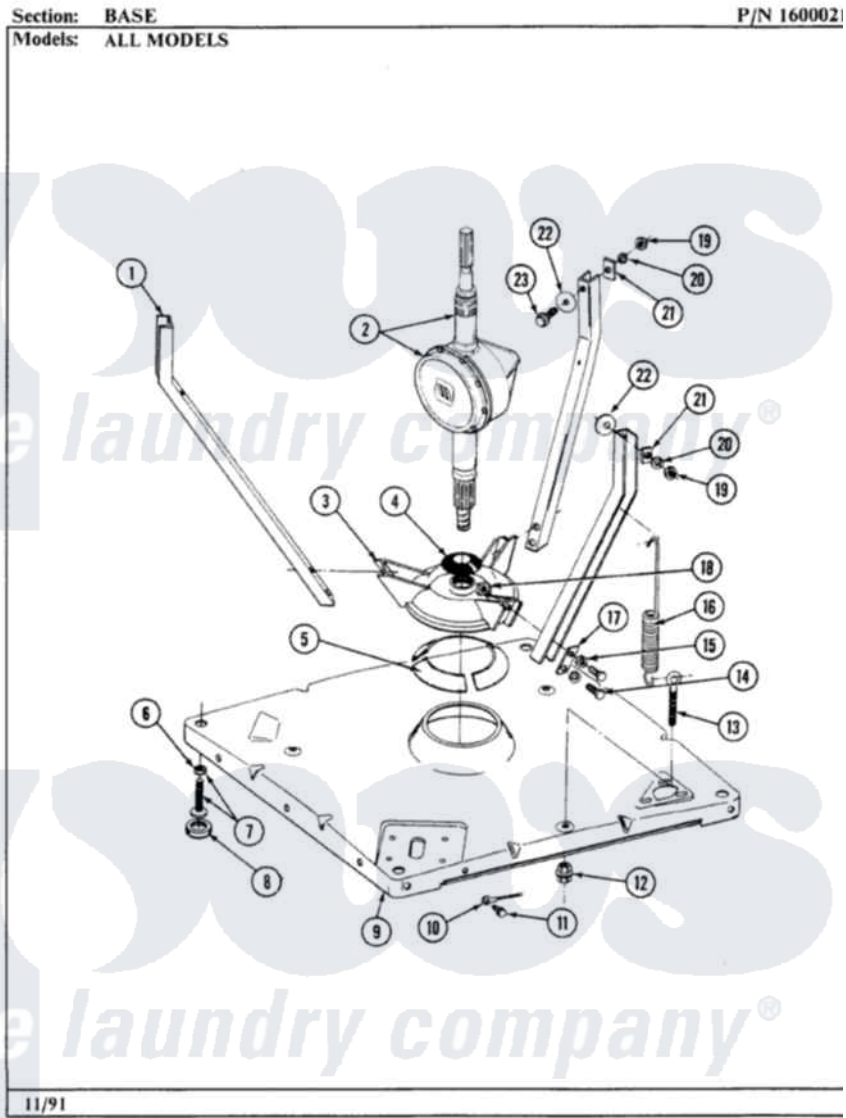


# Maytag LA211 01 - BASE



Maytag [Residential Maytag LA211 Washer Parts](#) Parts Diagram 01 - BASE  
 Click on the part number to view part

| Item | Original Part Number    | Replaced By               | Status        | Part Description                     |
|------|-------------------------|---------------------------|---------------|--------------------------------------|
| 1    | 213100                  |                           | Not Available | PART NOT USED                        |
| 2    | 206708                  | <a href="#">6-2097790</a> |               | Transmison                           |
| 3    | <a href="#">203725</a>  |                           |               | Damper W/Bolt And Clip               |
| 4    | 211028                  | <a href="#">22001586</a>  |               | Deflector, Water                     |
| 5    | <a href="#">203956</a>  |                           |               | Damper Pad Kit                       |
| 6    | <a href="#">210385</a>  |                           |               | Lock Nut For Adjustable Leg          |
| 7    | Y302699                 | <a href="#">22003428</a>  |               | Leg, Adjustable                      |
| 8    | <a href="#">210684</a>  |                           |               | Foot, Adjustable Leg                 |
| 9    | <a href="#">203274</a>  |                           |               | Base With Damper Pads                |
| 10   | <a href="#">204807</a>  |                           |               | Ground Wire, Supp. Plte To Top Cover |
| 11   | 210186                  | <a href="#">3370225</a>   |               | Screw                                |
| 12   | <a href="#">211949</a>  |                           |               | Nut, Adjustment Eyebolt              |
| 13   | 213120                  | <a href="#">216416</a>    |               | Bolt, Eye/Centering Spring           |
| 14   | <a href="#">Y015627</a> |                           |               | Screw- Hex                           |
| 15   | 911852                  | <a href="#">486009</a>    |               | Lockwasher                           |
| 16   | <a href="#">213054</a>  |                           |               | Centering Spring - 3 Used            |

|    |                         |                           |                                |
|----|-------------------------|---------------------------|--------------------------------|
| 17 | <a href="#">213073</a>  |                           | Washer, Double Brace           |
| 18 | <a href="#">Y052785</a> |                           | Nut, Brace To Damper           |
| 19 | <a href="#">Y052734</a> |                           | Nut, Carrage Bolts And Bracket |
| 20 | <a href="#">Y054867</a> |                           | Washer, Lock                   |
| 21 | 212979                  | Not Available             | WASHER, TUB BRACE              |
| 22 | <a href="#">211100</a>  |                           | Washer, Outer Tub              |
| 23 | 200744                  | <a href="#">W10175939</a> | Bolt                           |
| "  | 205254                  | <a href="#">W10175938</a> | Bolt                           |

