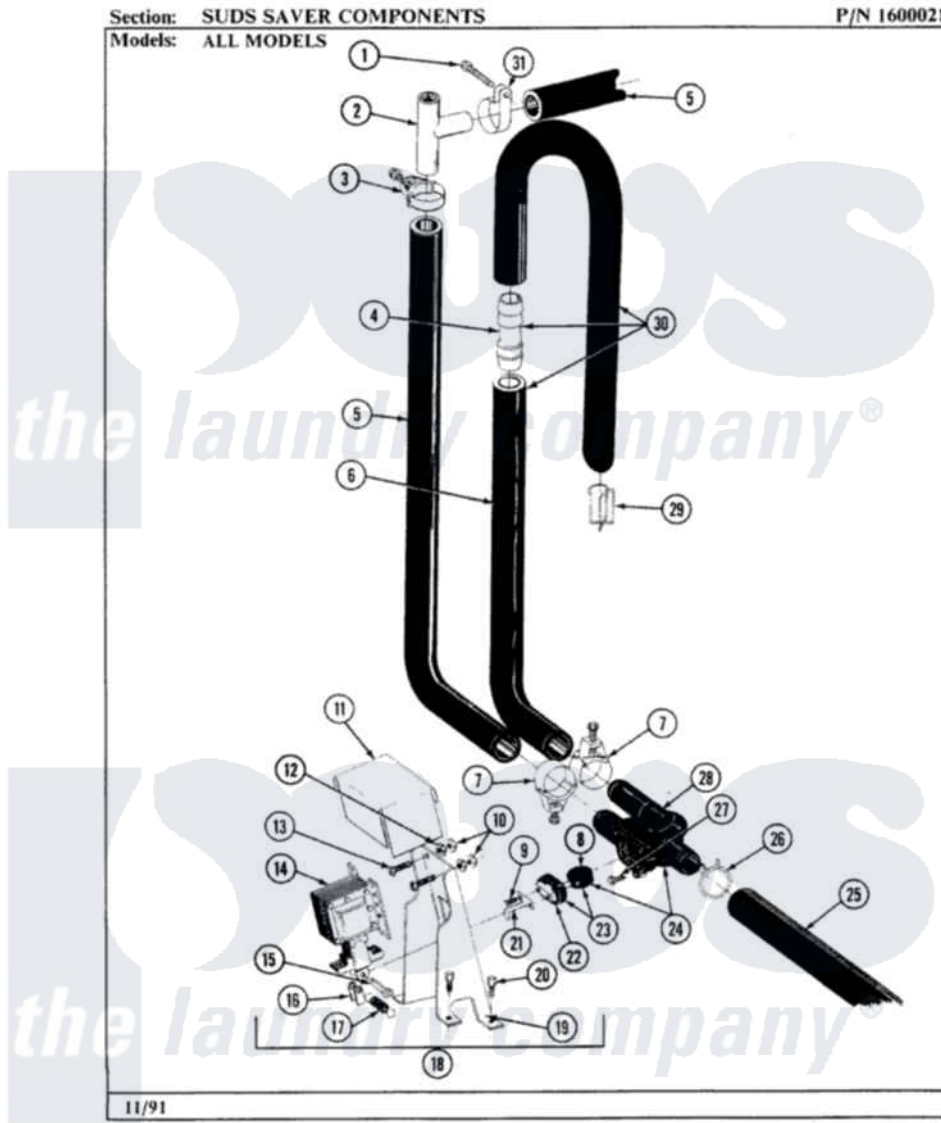


Maytag LA211S 06 - SUDS SAVER COMPONENTS



32

Maytag Residential Maytag LA211S Washer Parts Parts Diagram 06 - SUDS SAVER COMPONENTS
Click on the part number to view part

Item	Original Part Number	Replaced By	Status	Part Description
1	Y310842	8182296		Screw, Agitator
2	201112	76660		Break-Sphn
3	200908	285655		Clamp, Hose
4	211111	16272		Connector, Straight
5	211704			Hose, Drain
6	211171			Suds Return Hose-Lower
7	200461	285655		Clamp, Hose
8	211083			Flapper
9	911266		Not Available	SCREW, STRAINER TO PUMP
10	Y311426	3400029		Nut, Adapter Plate
11	211388		Not Available	SHIELD
12	052690		Not Available	HEX. NUT, No.10-32
13	Y054810	67006380		Screw, Center Hinge
14	200806			Solenoid
15	052366			Cotter Key, 1/8 X 7/8
16	211087			Solenoid Link

"	213855		Pin, Pivot
17	211085		Return Spring
18	201168		Diverter Valve
19	211516		Valve Bracket
20	910091	3370225	Screw
21	200828		Valve Arm Assembly
22	213856	Not Available	RETAINER
23	204316		Diaphragm And Arm
24	202506	Not Available	VALVE, DIVERTER
25	211518		Hose
26	202574	3367052	Clamp, Hose
27	214332	90767	Screw, 8A X 3/8 HeX Washer Head Tapping
28	204313		Body For Diverter Valve
29	212056		Strainer
30	200736		Suds Return Hose
31	211448		Clamp

