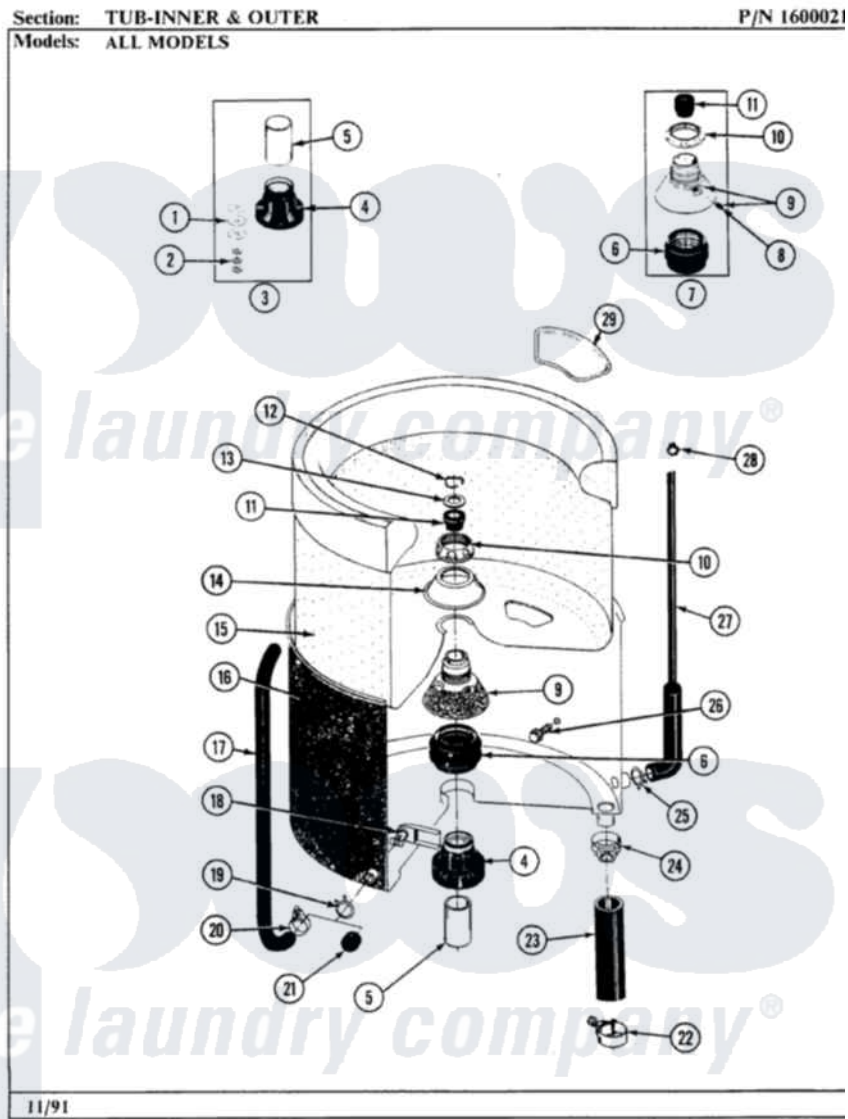


# Maytag LA282 09 - TUB-INNER & OUTER



20

Maytag Residential Maytag LA282 Washer Parts Parts Diagram 09 - TUB-INNER & OUTER  
 Click on the part number to view part

Item	Original Part Number	Replaced By	Status	Part Description
1	<a href="#">211100</a>			Washer, Outer Tub
2	<a href="#">Y054867</a>			Washer, Lock
3	204013	<a href="#">6-2040130</a>		Tub Bearin
4	200824	<a href="#">6-2040130</a>		Tub Bearin
5	<a href="#">211130</a>			Bearing Liner, Tub Bearing
6	201537	<a href="#">6-2095720</a>		Mounting S
7	204012	<a href="#">6-2095720</a>		Mounting S
8	211618	<a href="#">22001423</a>		Set Screw, Mounting Stem
9	202521	<a href="#">6-2095720</a>		Mounting S
10	211047	<a href="#">6-2110472</a>		Nut- Clamp
11	Y0A4298	<a href="#">6-0A57420</a>		Seal- Agitator
12	<a href="#">Y015667</a>			Retaining Ring
13	<a href="#">Y015666</a>			Washer, Retaining -
14	<a href="#">211210</a>			Washer, Clamping Nut
15	201523		Not Available	INNER TUB
16	205486		Not Available	PART NOT USED

18	<a href="#">214434</a>		Spout, Deflector
19	214739	<a href="#">596669</a>	Clamp, Manifold
20	205161	<a href="#">489503</a>	Clamp
21	<a href="#">214725</a>		Cap For Spout-Outer Tub
22	200461	<a href="#">285655</a>	Clamp, Hose
23	<a href="#">Y212989</a>		Hose, Outer Tub To Pump
24	200900	<a href="#">616099</a>	Clamp
25	<a href="#">211641</a>		Clamp, 1-1/16"
26	200744	<a href="#">W10175939</a>	Bolt
"	205254	<a href="#">W10175938</a>	Bolt
27	212942	<a href="#">22001619</a>	Tube, Water Level Switch
28	410296	<a href="#">596669</a>	Clamp, Manifold

**Howes**  
*the laundry company*<sup>®</sup>

**Howes**  
*the laundry company*<sup>®</sup>

**Howes**  
*the laundry company*<sup>®</sup>