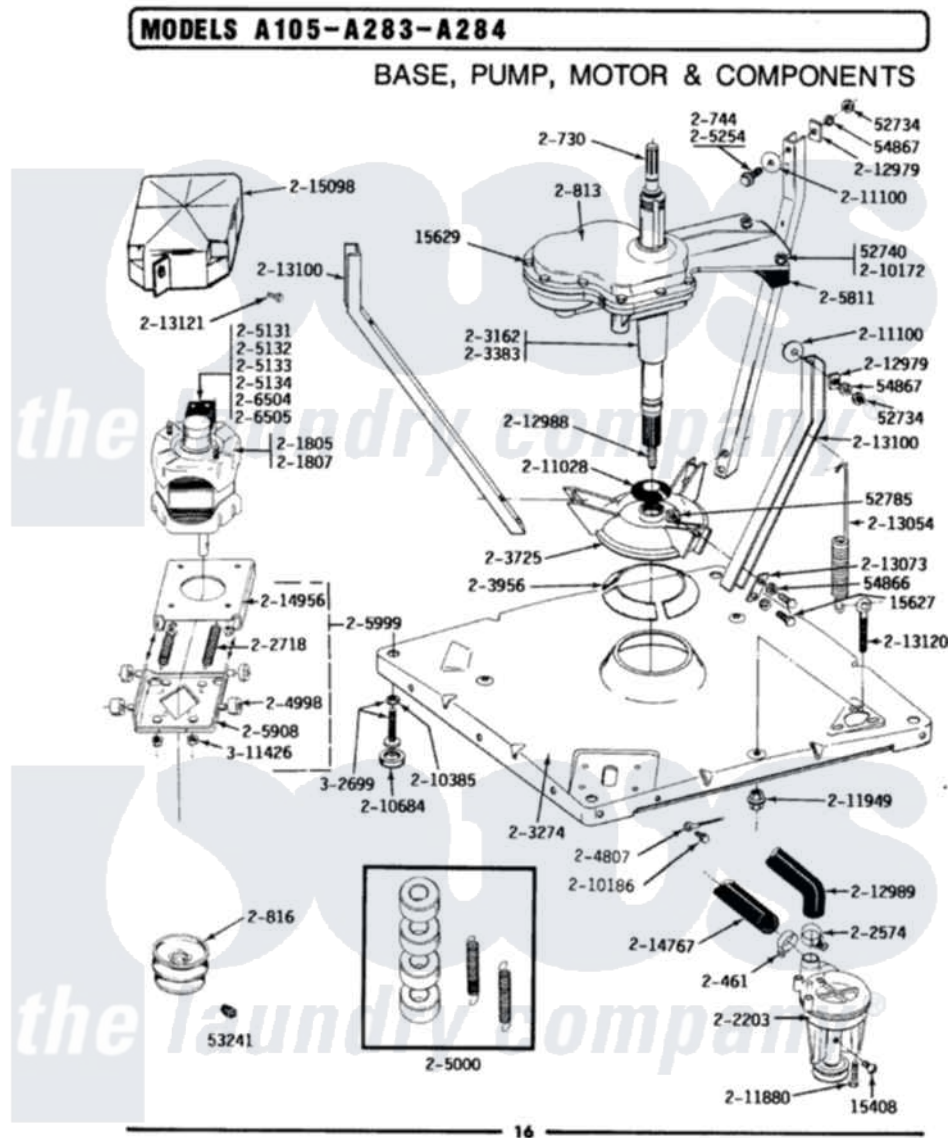


Maytag LA283 01 - BASE, PUMP, MOTOR & COMPONENTS



Maytag Residential Maytag LA283 Washer Parts Parts Diagram 01 - BASE, PUMP, MOTOR & COMPONENTS
 Click on the part number to view part

Item	Original Part Number	Replaced By	Status	Part Description
1	Y015408	22003235		Screw, Bearing Insert
2	Y015627			Screw- Hex
3	Y015629			Bolt, Grinding Chamber
4	Y052734			Nut, Carrage Bolts And Bracket
5	Y052740	62739		Nut, Lock
6	Y052785			Nut, Brace To Damper
7	Y053241			Set Screw, Motor Pulley
8	Y054866	486009		Lockwasher
9	Y054867			Washer, Lock
10	200461	285655		Clamp, Hose
11	200730	22002124		Shaft- Agi
12	200744	W10175939		Bolt
13	200813		Not Available	GEAR CASE COVER ASSEMBLY
14	200816	6-2008160		Pulley- MO
15	201807	12002353		Motor-Drve

16	202203	6-2022030		Pump As Pa
17	202574	3367052		Clamp, Hose
18	202718			Springs, Tension
19	203162			Gear Housing W/Studs And Tube
20	203274			Base With Damper Pads
21	203383	W10172458		Transmison
22	203725			Damper W/Bolt And Clip
23	203956			Damper Pad Kit
24	204807			Ground Wire, Supp. Plte To Top Cover
25	204998	205000		Roller And Spring Kit 4+Spr
26	205000			Roller And Spring Kit 4+Spr
27	205131			Switch, Motor External Start
28	205132		Not Available	SWITCH, MOTOR EXTERNAL START No.201664-14,205463-4 & 201800-4
29	205133		Not Available	(PROD. IDNo. 2-1664-8 & 2-5463)
30	205134		Not Available	MOTOR EXTERNAL START SWITCH
31	205254	W10175938		Bolt
32	205811			Counterweight
33	205908			Motor Mount Assembly
34	205999			Motor Mount Assembly
35	206504			Motor External Start Switch
36	206505		Not Available	PROD. No.201664-15, & No.205463-3.
37	210186	3370225		Screw
38	210172			Lock Washer
39	210385			Lock Nut For Adjustable Leg
40	210684			Foot, Adjustable Leg
41	211028	22001586		Deflector, Water
42	211100			Washer, Outer Tub
43	211880			Screw, HeX Head No.10 X 1/2 Inc
44	211949			Nut, Adjustment Eyebolt
45	212979		Not Available	WASHER, TUB BRACE
46	212988			Part Not Used
47	Y212989			Hose, Outer Tub To Pump
49	213073			Washer, Double Brace
50	213100		Not Available	PART NOT USED
51	213120	216416		Bolt, Eye/Centering Spring
52	213121	3400111		Screw, 12-14 X 5/8
53	214956			Motor Mount Assembly
54	215098			Shield, Motor
55	214767	22001448		Hose, Pump
56	Y302699	22003428		Leg, Adjustable
57	Y311426	3400029		Nut, Adapter Plate