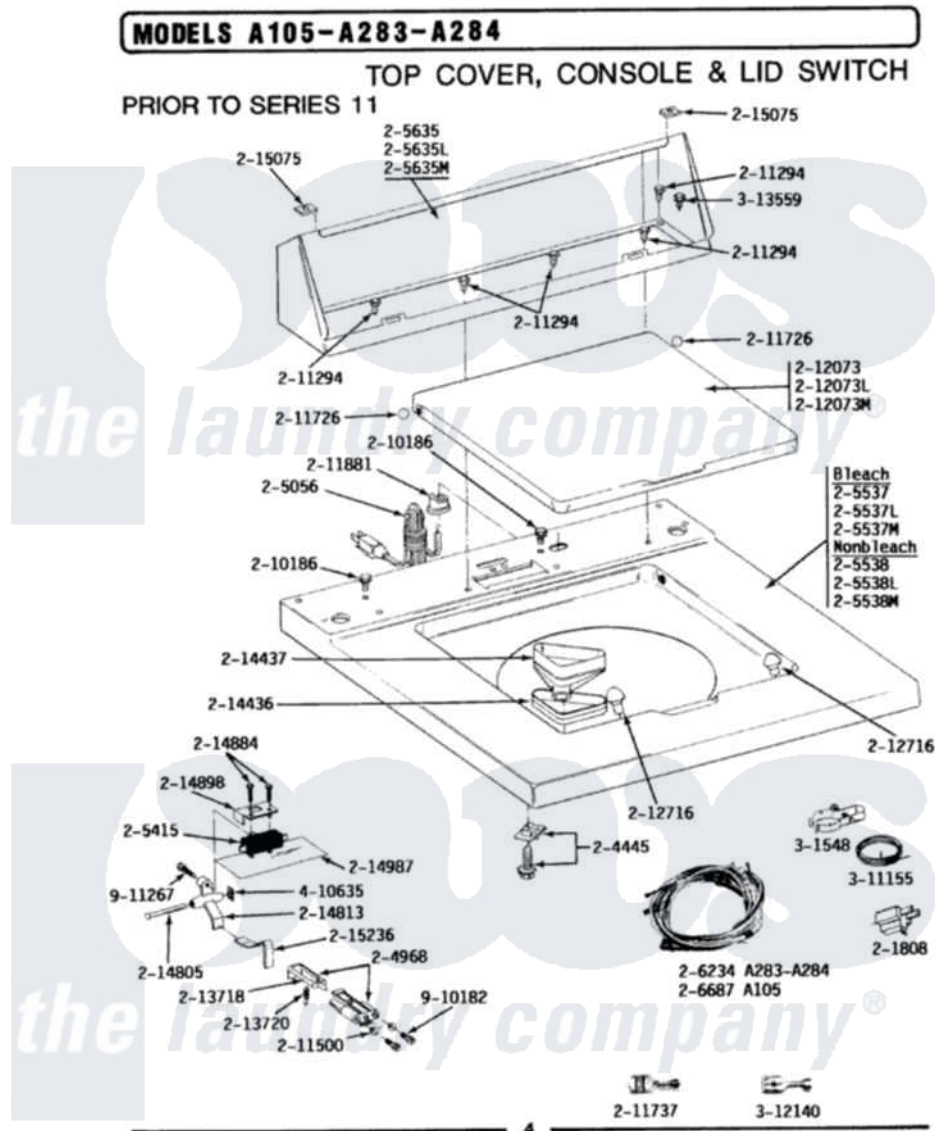


# Maytag LA284 06 - TOP COVER, CONSOLE & LID SWITCH



Maytag Residential Maytag LA284 Washer Parts Parts Diagram 06 - TOP COVER, CONSOLE & LID SWITCH  
 Click on the part number to view part

Item	Original Part Number	Replaced By	Status	Part Description
1	<a href="#">Y201808</a>			Converter
2	<a href="#">204445</a>			Screw And Fastener Assembly
3	<a href="#">204968</a>			Plunger And Bracket Assembly--W
4	205056	<a href="#">204590</a>		Cord, Power
5	205415	<a href="#">279347</a>		Switch-Lid
7	<a href="#">205537L</a>			Top Cover-Almond---NA
10	205635L		Not Available	CONSOLE (ALM)
12	206234		Not Available	WIRE HARNESS
13	210186	<a href="#">3370225</a>		Screw
14	211294	<a href="#">90767</a>		Screw, 8A X 3/8 HeX Washer Head Tapping
15	<a href="#">211500</a>			Washer, Bracket To Top Cover
16	<a href="#">211726</a>			Hinge, Ball Lid
17	211737	<a href="#">248562</a>		Terminal
18	<a href="#">211881</a>			Grommet, Cord Part Not Used-Gas Models Only

20	212073L	Not Available	LID-ALMOND
22	<a href="#">212716</a>		Bumper, Lid
23	<a href="#">213718</a>		Plunger, Lid Switch
24	<a href="#">213720</a>		Spring, Lid Switch
25	<a href="#">214436</a>		Gasket
26	214437	<a href="#">215577</a>	Bleach Inlet White
27	<a href="#">214805</a>		Pin For Unbalance Lever
28	214813	Not Available	LEVER FOR LID SWITCH
29	214884	<a href="#">213501</a>	Screw, No.6-20 X 1-1/8 Inch
30	<a href="#">214898</a>		Cover For Lid Switch
31	<a href="#">214987</a>		Moisture Barrier For Switch
32	<a href="#">215075</a>		Fastener, Control Panel To Console
33	215236	<a href="#">214804</a>	Unbalance Lever
34	<a href="#">301548</a>		Clamp, Ground Wire
35	<a href="#">311155</a>		Ground Wire And Clamp
36	<a href="#">Y312140</a>		Wire Connector
37	<a href="#">Y313559</a>		Screw
38	<a href="#">410635</a>		Fastener
39	910182	<a href="#">25-7809</a>	Screw, No.6-20 1/2 Flthd Torx
40	<a href="#">911267</a>		Screw, Pump Cover

