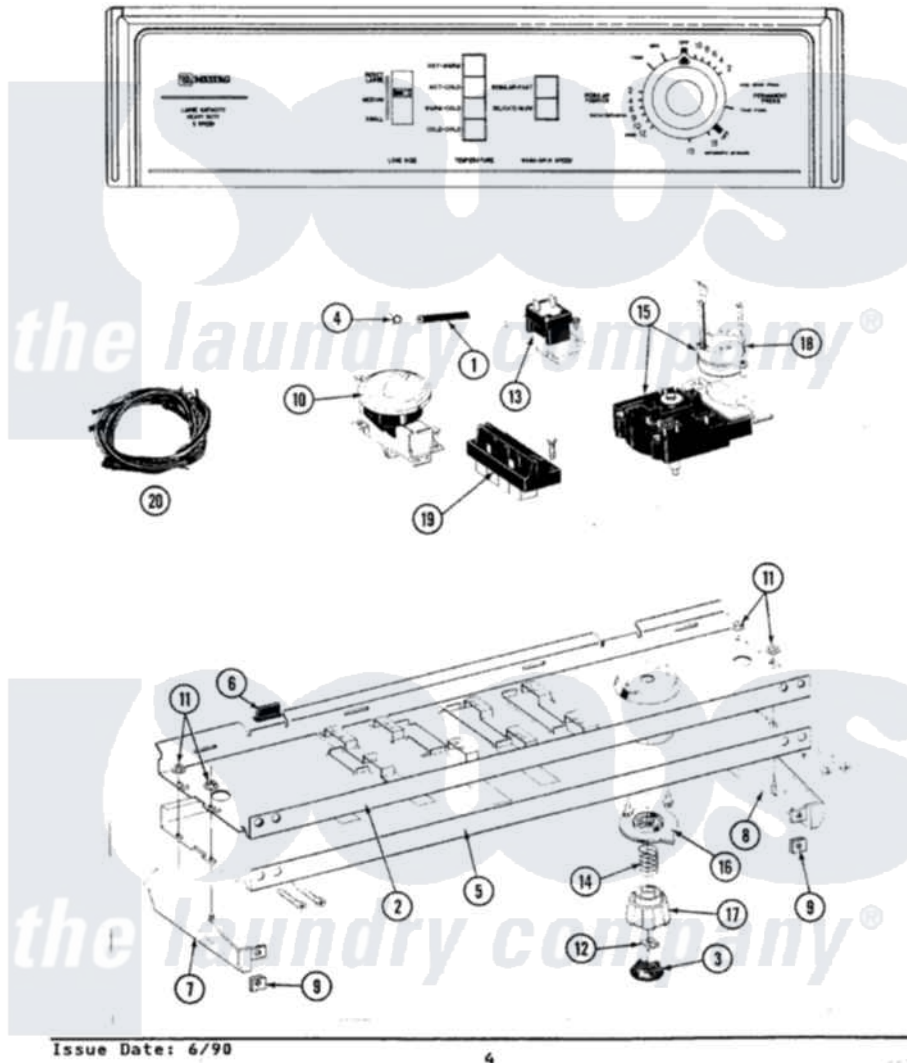


Maytag LA3910 04 - CONTROL PANEL

SECTION: CONTROL PANEL

MODEL: A3910



Issue Date: 6/90

4

Maytag [Residential Maytag LA3910 Washer Parts](#) Parts Diagram 04 - CONTROL PANEL

[Click on the part number to view part](#)

| Item | Original Part Number | Replaced By | Status | Part Description |
|------|------------------------|---------------------------|---------------|--|
| 1 | 212942 | 22001619 | | Tube, Water Level Switch |
| 2 | 214809 | | | Back Up Plate |
| " | 210932 | | | Screw, No.8 X 9/16 Ctsk Note: Screw, Inlet Duct |
| 3 | 215821 | | Not Available | CAP, KNOB |
| 4 | 410296 | 596669 | | Clamp, Manifold |
| 5 | 207607 | | Not Available | CONTROL PANEL |
| " | 210932 | | | Screw, No.8 X 9/16 Ctsk Note: Screw, Inlet Duct |
| 6 | 214897 | | | Pad, Control Panel |
| 7 | 207215 | | Not Available | END CAP LH |
| 8 | 207216 | | Not Available | END CAP RH |
| 9 | 214894 | | | Fastener, End Cap |
| 10 | 211168 | W10139210 | | Screw, 8-18 X 5/16 |
| " | 207362 | | Not Available | INFINITE LEVEL PRESSURE SWITCH |
| 11 | 214872 | | | Palnut, End Cap Note: Nut, Lamp Holder |

| | | | |
|----|------------------------|--------------------------|-----------------------------------|
| 12 | 211605 | | Bezel, Timer Dial |
| 13 | 213117 | 67006908 | Screw, Ice Rack |
| " | 207370 | | Speed Control Switch - 2 Butto |
| 14 | 211065 | | Spring, Index Wheel |
| 15 | 207373 | | Timer |
| " | 213966 | 3400014 | Screw |
| 16 | 215827 | Not Available | TIMER DIAL SKIRT |
| 17 | 215828 | | Knob, Timer |
| 18 | 205033 | 22205033 | Motor- Tim |
| 19 | 213117 | 67006908 | Screw, Ice Rack |
| " | 207367 | Not Available | TEMP CONTROL SWITCH - 4 BUTTON |
| 20 | 207381 | Not Available | WIRE HARNESS |

the laundry company[®]

the laundry company[®]

the laundry company[®]