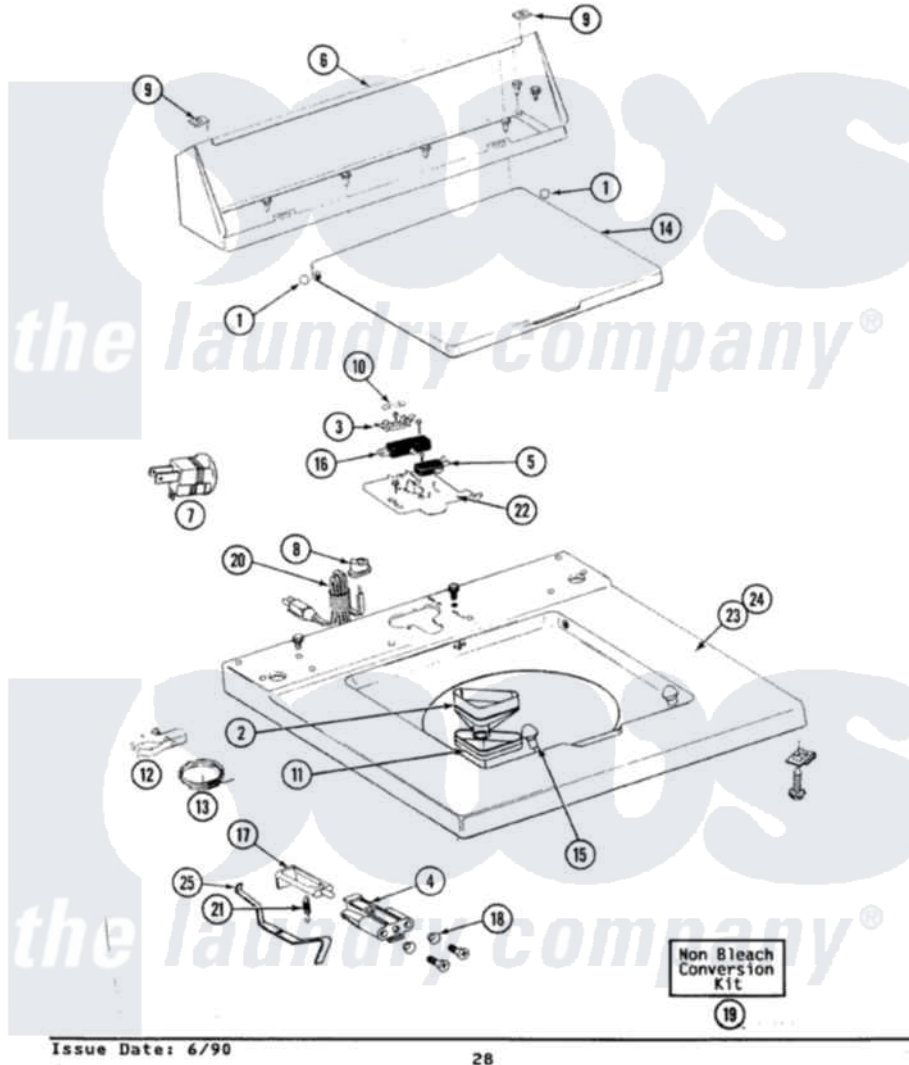


# Maytag LA5000 06 - TOP COVER, CONSOLE & LID SWITCH

SECTION: TOP COVER, CONSOLE & LID SWITCH  
 MODEL: ALL MODELS



Issue Date: 6/90

28

Maytag [Residential Maytag LA5000 Washer Parts](#) Parts Diagram 06 - TOP COVER, CONSOLE & LID SWITCH  
 Click on the part number to view part

| Item | Original Part Number    | Replaced By             | Status        | Part Description                            |
|------|-------------------------|-------------------------|---------------|---|
| 1    | <a href="#">211726</a>  |                         |               | Hinge, Ball Lid                             |
| 3    | 215705                  | <a href="#">Y311711</a> |               | Screw, Fuse Block                           |
| "    | <a href="#">207167</a>  |                         |               | Block, Fuse                                 |
| 4    | 216256                  |                         | Not Available | BRACKET, UNBALANCE                          |
| "    | 910182                  | <a href="#">25-7809</a> |               | Screw, No.6-20 1/2 Flthd Torx               |
| "    | 214279                  | <a href="#">204968</a>  |               | Plunger And Bracket Assembly--W             |
| 5    | 912012                  | <a href="#">3400409</a> |               | Screw                                       |
| "    | <a href="#">207166</a>  |                         |               | Switch, Check                               |
| 6    | 205635L                 |                         | Not Available | CONSOLE (ALM)                               |
| "    | 211294                  | <a href="#">90767</a>   |               | Screw, 8A X 3/8 HeX Washer Head Tapping     |
| "    | <a href="#">Y313559</a> |                         |               | Screw                                       |
| 7    | <a href="#">Y201808</a> |                         |               | Converter                                   |
| 8    | <a href="#">211881</a>  |                         |               | Grommet, Cord Part Not Used-Gas Models Only |
| 9    | <a href="#">215075</a>  |                         |               | Fastener, Control Panel To Console          |

|    |                         |                          |                                  |
|----|-------------------------|--------------------------|----------------------------------|
| 10 | 207168                  | <a href="#">22001682</a> | Switch Assembly, Lid W/4amp Fuse |
| 11 | <a href="#">214436</a>  |                          | Gasket                           |
| 12 | <a href="#">301548</a>  |                          | Clamp, Ground Wire               |
| 13 | <a href="#">311155</a>  |                          | Ground Wire And Clamp            |
| 14 | 212073L                 | Not Available            | LID-ALMOND                       |
| 15 | <a href="#">212716</a>  |                          | Bumper, Lid                      |
| 16 | <a href="#">213501</a>  |                          | Screw, No.6-20 X 1-1/8 Inch      |
| "  | 205415                  | <a href="#">279347</a>   | Switch-Lid                       |
| 17 | 215700                  | Not Available            | LID SWITCH PLUNGER               |
| "  | 208591                  | Not Available            | KIT, PLUNGER & BRACKET           |
| 18 | <a href="#">211500</a>  |                          | Washer, Bracket To Top Cover     |
| 19 | <a href="#">205997</a>  |                          | Non-Bleach Conversion Kit        |
| 20 | 210186                  | <a href="#">3370225</a>  | Screw                            |
| "  | <a href="#">204590</a>  |                          | Cord, Power                      |
| 21 | <a href="#">213720</a>  |                          | Spring, Lid Switch               |
| 22 | 207159                  | <a href="#">489355</a>   | Screw, 8 X 1/2                   |
| "  | Y215699                 | <a href="#">22001678</a> | Bracket, Switch And Fuse         |
| 24 | 210186                  | <a href="#">3370225</a>  | Screw                            |
| "  | <a href="#">204445</a>  |                          | Screw And Fastener Assembly      |
| "  | <a href="#">207172L</a> |                          | Top Cover Assembly ALM----NA     |
| 25 | <a href="#">215704</a>  |                          | Lever, Unbalance                 |

