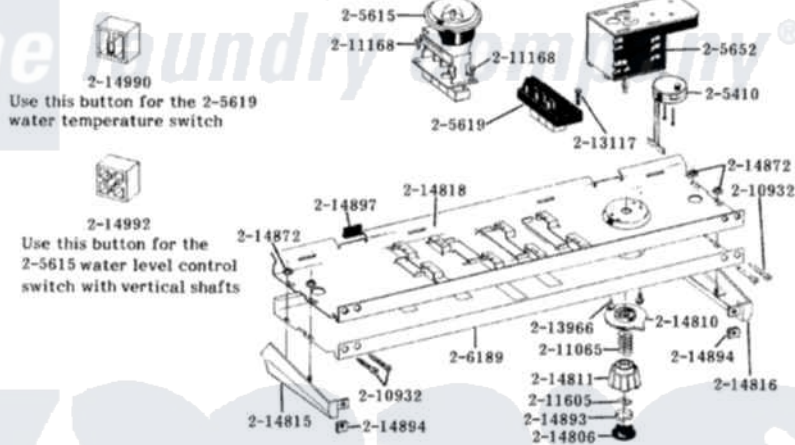


# Maytag LA503 04 - CONTROL PANEL,TIMER & SWITCHES

## MODEL A503 CONTROL PANEL, TIMER & SWITCHES

A503



Use this button for the 2-5619 water temperature switch

Use this button for the 2-5615 water level control switch with vertical shafts

- 2-5410 Timer motor for 2-5652 timer
- 2-5615 Water level control switch
- 2-5619 Water temperature switch
- 2-5652 Timer - A503
- 2-6189 Control panel - A503
- 2-10932 Screw - control panel to console and end caps to back-up plate - 4 used
- 2-11065 Spring for timer knob
- 2-11168 Screw - water level control switch to back-up plate - 2 used
- 2-11605 Retaining clip - knob to timer
- 2-13117 Screw - water temperature switch to back-up plate - 2 used
- 2-13966 Screw - timer to back-up plate - 2 used

- 2-14806 Cap for timer knob
- 2-14810 Timer dial indicator
- 2-14811 Knob for timer
- 2-14815 End cap for control panel - L.H.
- 2-14816 End cap for control panel - R.H.
- 2-14818 Back-up plate
- 2-14872 Nut - end caps to back-up plate - 4 used
- 2-14893 Detent ring for timer knob cap
- 2-14894 Fastener - end caps to back-up plate
- 2-14897 Cushion pad for control panel - 2 used

Maytag Residential Maytag LA503 Washer Parts Parts Diagram 04 - CONTROL PANEL,TIMER & SWITCHES  
 Click on the part number to view part

Item	Original Part Number	Replaced By	Status	Part Description
1	205410		Not Available	TIMER MOTOR 120-60
2	<a href="#">205615</a>			Water Level Control Switch
3	205619		Not Available	WATER TEMPERATURE SWITCH
4	205652	<a href="#">22205652</a>		Timer
5	206189		Not Available	CONTROL PANEL
6	<a href="#">210932</a>			Screw, No.8 X 9/16 Ctsk Note: Screw, Inlet Duct
7	<a href="#">211065</a>			Spring, Index Wheel
8	211168	<a href="#">W10139210</a>		Screw, 8-18 X 5/16
9	<a href="#">211605</a>			Bezel, Timer Dial
10	213117	<a href="#">67006908</a>		Screw, Ice Rack
11	213966	<a href="#">3400014</a>		Screw
12	214806		Not Available	CAP FOR TIMER KNOB
13	214810	<a href="#">22001571</a>		Bezel, Timer Dial
14	<a href="#">214811</a>			Knob For Timer
15	<a href="#">214815</a>			End Cap F/Control Panel-LH

16	<a href="#">214816</a>		End Cap F/Control Panel-RH
17	<a href="#">214818</a>		Back Up Plate
18	<a href="#">214872</a>		Palnut, End Cap Note: Nut, Lamp Holder
19	214893	Not Available	DETENT RING F/TIMER KNOB CA
20	<a href="#">214894</a>		Fastener, End Cap
21	<a href="#">214897</a>		Pad, Control Panel

