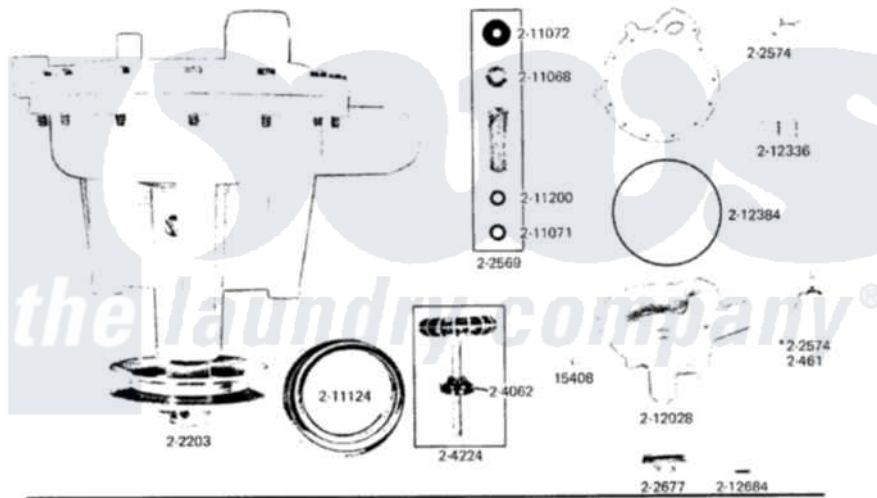
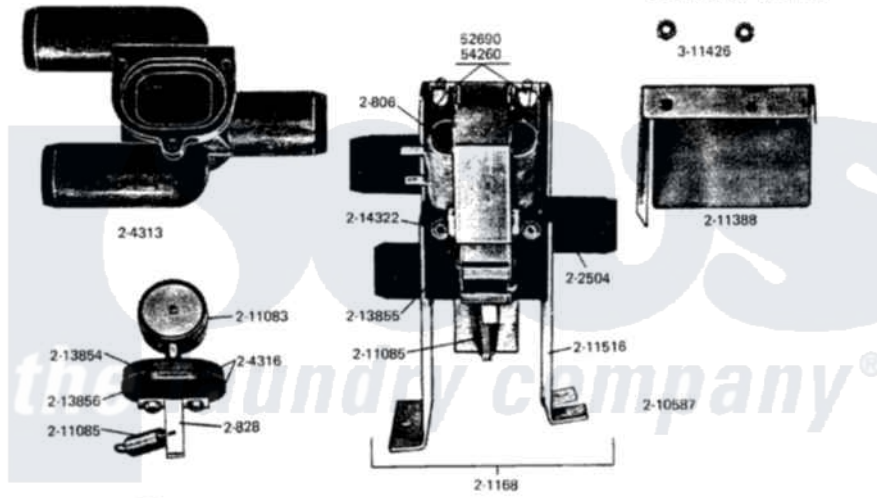


'POLY' PUMP



DIVERTER VALVE



Copyright 1976 THE MAYTAG COMPANY • Newton, Iowa • Printed In U.S.A.

Maytag Residential Maytag LA608S Washer Parts Parts Diagram 02 - BLEACH INJECTION SYSTEM
 Click on the part number to view part

Item	Original Part Number	Replaced By	Status	Part Description
1	200846			Clamp - Tub Cover
2	201765		Not Available	COVER, TUB
3	203156		Not Available	INNER TUB
4	203265			Lint Filter-Dispenser
5	203319	22203319		Cabinet
6	203323	22004085		Large Agitator
7	205484			Tub, Outer Part Not Used
8	205160		Not Available	TOP COVER-WHITE
9	205161	489503		Clamp
10	211232			Seal, Tub Cover
11	211726			Hinge, Ball Lid
12	212073			LID (WHITE)
13	212716			Bumper, Lid
14	212815		Not Available	DISPENSER CUP
15	214376	22002331		Spacer, Front Panel
16	214433			Tube, Inlet Part Not Used

17	214434	Spout, Deflector
18	214436	Gasket
19	214437	215577 Bleach Inlet White
20	205529	Nut And Bolt Kit For Tub Clam

