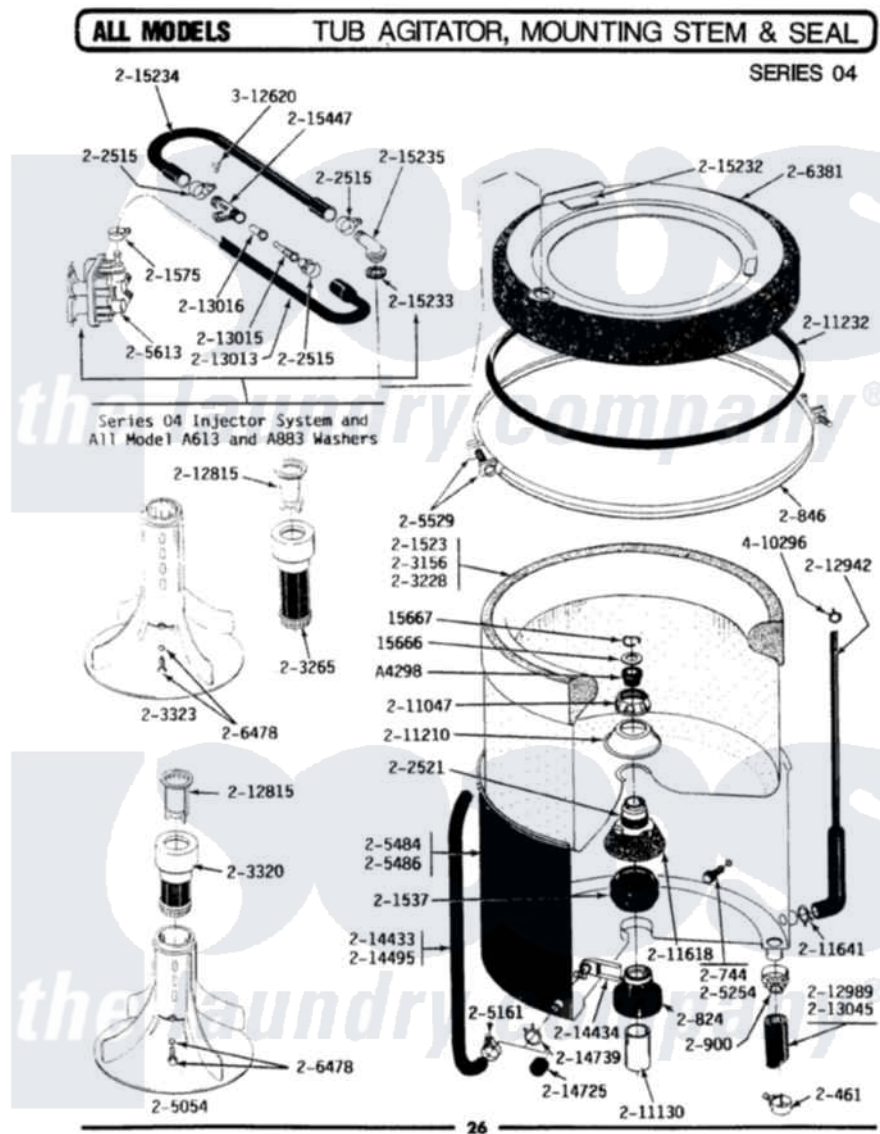


Maytag LA712 09 - TUB, AGITATOR, MTG. STEM & SEAL (SER 04)



Maytag Residential Maytag LA712 Washer Parts Parts Diagram 09 - TUB, AGITATOR, MTG. STEM & SEAL (SER 04)
 Click on the part number to view part

Item	Original Part Number	Replaced By	Status	Part Description
1	A04298		Not Available	SEAL, AGITATOR DRIVE SHAFT
2	Y015666			Washer, Retaining -
3	Y015667			Retaining Ring
4	Y054867			Washer, Lock
5	200744	W10175939		Bolt
6	200824	6-2040130		Tub Bearin
7	200846			Clamp - Tub Cover
8	200900	616099		Clamp
9	201537	6-2095720		Mounting S
10	201575			Clamp, Hose
11	202515	596669		Clamp, Manifold
12	202521	6-2095720		Mounting S
16	203156		Not Available	INNER TUB
17	203265			Lint Filter-Dispenser
19	204012	6-2095720		Mounting S
20	204013	6-2040130		Tub Bearin

21	205161	489503	Clamp
22	205254	W10175938	Bolt
23	205484		Tub, Outer Part Not Used
25	205529		Nut And Bolt Kit For Tub Clam
26	205613		Water Valve
27	206381	Not Available	TUB COVER
28	206478	Not Available	SCREW & WASHER FOR AGITATOR
29	206683	206680	Water Injector Assembly
30	211047	6-2110472	Nut- Clamp
31	211100		Washer, Outer Tub
32	211130		Bearing Liner, Tub Bearing
33	211210		Washer, Clamping Nut
34	211232		Seal, Tub Cover
35	211618	22001423	Set Screw, Mounting Stem
36	211641		Clamp, 1-1/16"
37	212815	Not Available	DISPENSER CUP
38	212942	22001619	Tube, Water Level Switch
39	213013		Hose, Injector
40	213015		Nozzle, Injector
41	213016	216201	Nozzle
43	213057	22213057	Sleeve- In
44	214433		Tube, Inlet Part Not Used
46	214725		Cap For Spout-Outer Tub
47	214739	596669	Clamp, Manifold
48	214875	285655	Clamp, Hose
49	215232		Bumper, Unbalance
50	215233		Seal For Injector Tube
51	Y215234		Hose, Injector Fill
52	215235		Tube, Injector
53	215447		Sleeve For Injector
54	Y310632	1163839	Screw
55	312620		Screw, Sems
56	410296	596669	Clamp, Manifold

