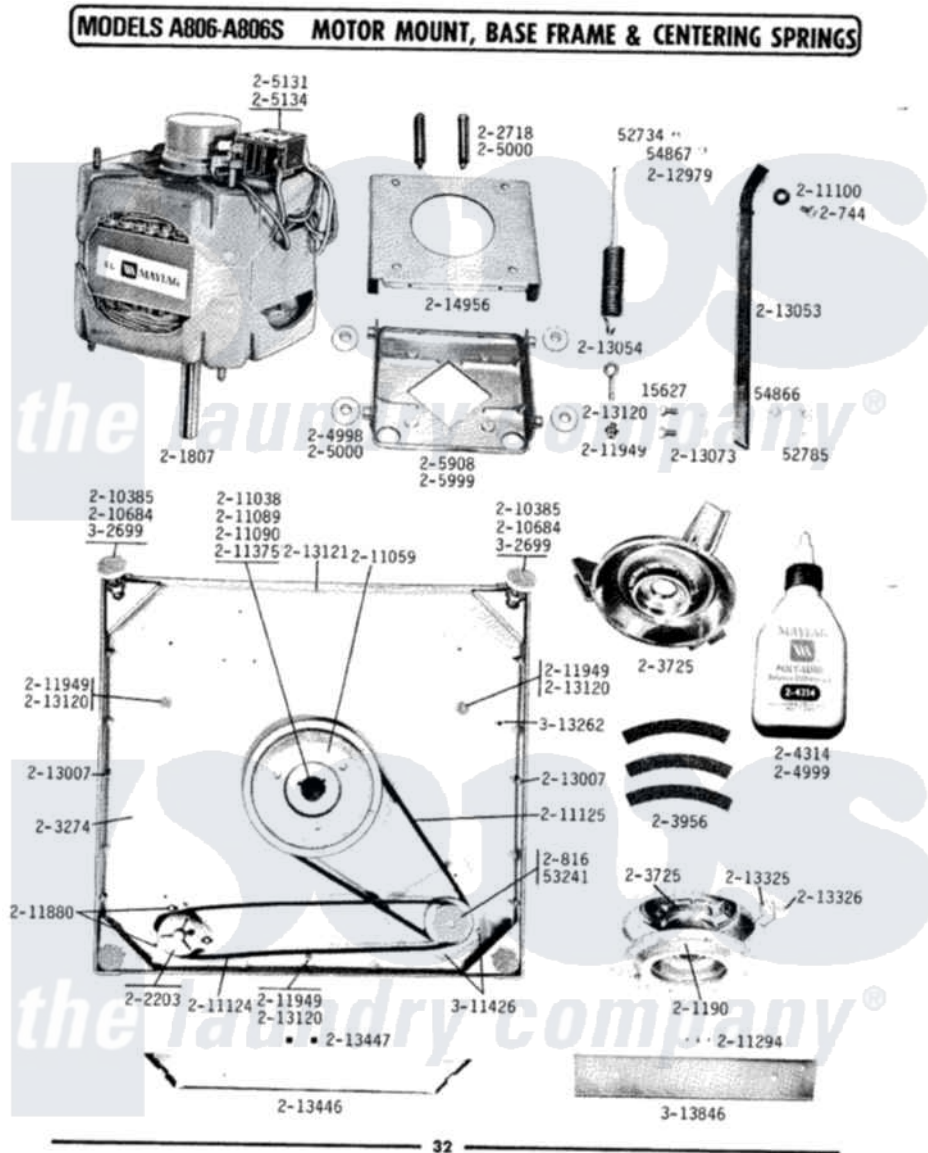


Maytag LA806 08 - MOTOR MOUNT, BASE FRAME & CENTERING SPRS



Maytag [Residential Maytag LA806 Washer Parts](#) Parts Diagram 08 - MOTOR MOUNT, BASE FRAME & CENTERING SPRS

Click on the part number to view part

Item	Original Part Number	Replaced By	Status	Part Description
1	Y015627			Screw- Hex
2	Y052734			Nut, Carrage Bolts And Bracket
3	Y052785			Nut, Brace To Damper
4	Y053241			Set Screw, Motor Pulley
5	Y054866	486009		Lockwasher
6	Y054867			Washer, Lock
7	200744	W10175939		Bolt
8	200816	6-2008160		Pulley- MO
9	201190	6-2011900		Brake Asse
10	201807	12002353		Motor-Drve
11	202203	6-2022030		Pump As Pa
12	202677		Not Available	PUMP PULLEY WITH PIN
13	202718			Springs, Tension
14	203274			Base With Damper Pads
15	203725			Damper W/Bolt And Clip

16	203956		Damper Pad Kit
17	204314	Not Available	POLY LUBE - 4 OZ
18	204998	205000	Roller And Spring Kit 4+Spr
19	204999		Poly-Lube Grease, 3.5 Grams
20	205000		Roller And Spring Kit 4+Spr
21	205131		Switch, Motor External Start
22	205134	Not Available	MOTOR EXTERNAL START SWITCH
23	205908		Motor Mount Assembly
24	205999		Motor Mount Assembly
25	210186	3370225	Screw
26	210385		Lock Nut For Adjustable Leg
27	210587	W10116760	Screw
28	210684		Foot, Adjustable Leg
29	211038	Not Available	CAP, OIL RETAINER
30	211059	6-2301530	Pulley
31	211089		Lug, Stop Pulley
32	211090	22003555	Washer, Stop Lug
33	211100		Washer, Outer Tub
34	211124		Part Not Used
35	211125		V Belt, Drive Pulley
36	211294	90767	Screw, 8A X 3/8 HeX Washer Head Tapping
37	211375	681582	Screw
38	211880		Screw, HeX Head No.10 X 1/2 Inc
39	211949		Nut, Adjustment Eyebolt
40	212979	Not Available	WASHER, TUB BRACE
41	213007		Xfor Cabinet See Cabinet, Back
42	213053		Brace, Tub Part Not Used
43	213054		Centering Spring - 3 Used
44	213073		Washer, Double Brace
45	213120	216416	Bolt, Eye/Centering Spring
46	213121	3400111	Screw, 12-14 X 5/8
47	213325		Clip, Retaining
48	213326		Bolt, Sems Retaining Clip
49	213446	Not Available	BELT GUARD
50	213447	Not Available	CLIP FOR BELT GUARD
51	213846		Guard, Belt
52	214956		Motor Mount Assembly
53	Y302699	22003428	Leg, Adjustable
54	Y311426	3400029	Nut, Adapter Plate
55	Y313262	W10116752	Retainer-