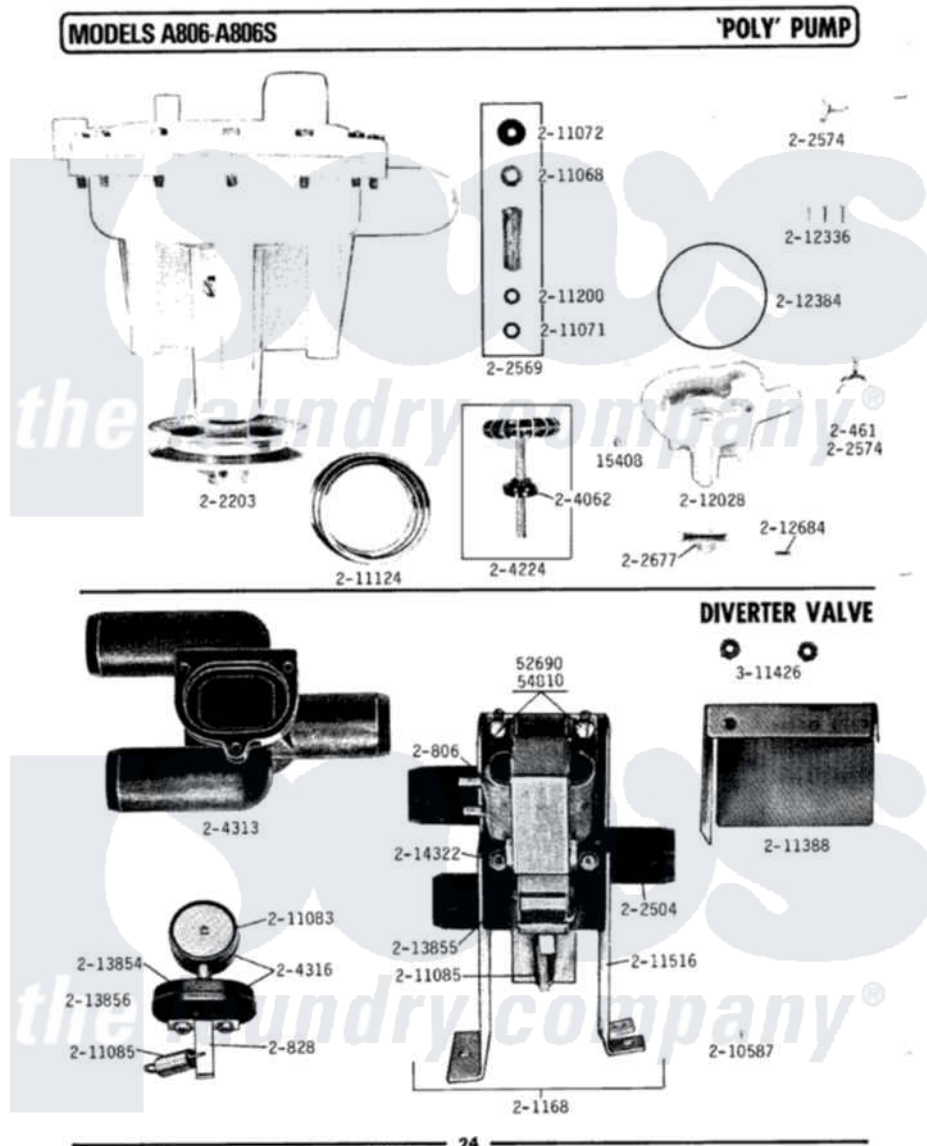


Maytag LA806 11 - 'POLY' PUMP



Maytag [Residential Maytag LA806 Washer Parts](#) Parts Diagram 11 - 'POLY' PUMP
 Click on the part number to view part

Item	Original Part Number	Replaced By	Status	Part Description
1	Y015408	22003235		Screw, Bearing Insert
2	200461	285655		Clamp, Hose
3	202203	6-2022030		Pump As Pa
4	202569		Not Available	PUMP BEARING KIT
6	202677		Not Available	PUMP PULLEY WITH PIN
7	204062			Seal For Impeller
8	204224			Impeller And Seal Assembly
9	211068			Wicking-Top
10	211071		Not Available	OIL SLINGER-BOTTOM
11	211072			Oil And Water Slinger-Top
12	211124			Part Not Used
13	211200			WASHER
14	212028		Not Available	PUMP HOUSING, POLY
15	212336		Not Available	SCREW, No.8 X 3/4 INCH
16	212384			Gasket For Poly Pump
17	212684			Rollpin For Pump Pulley