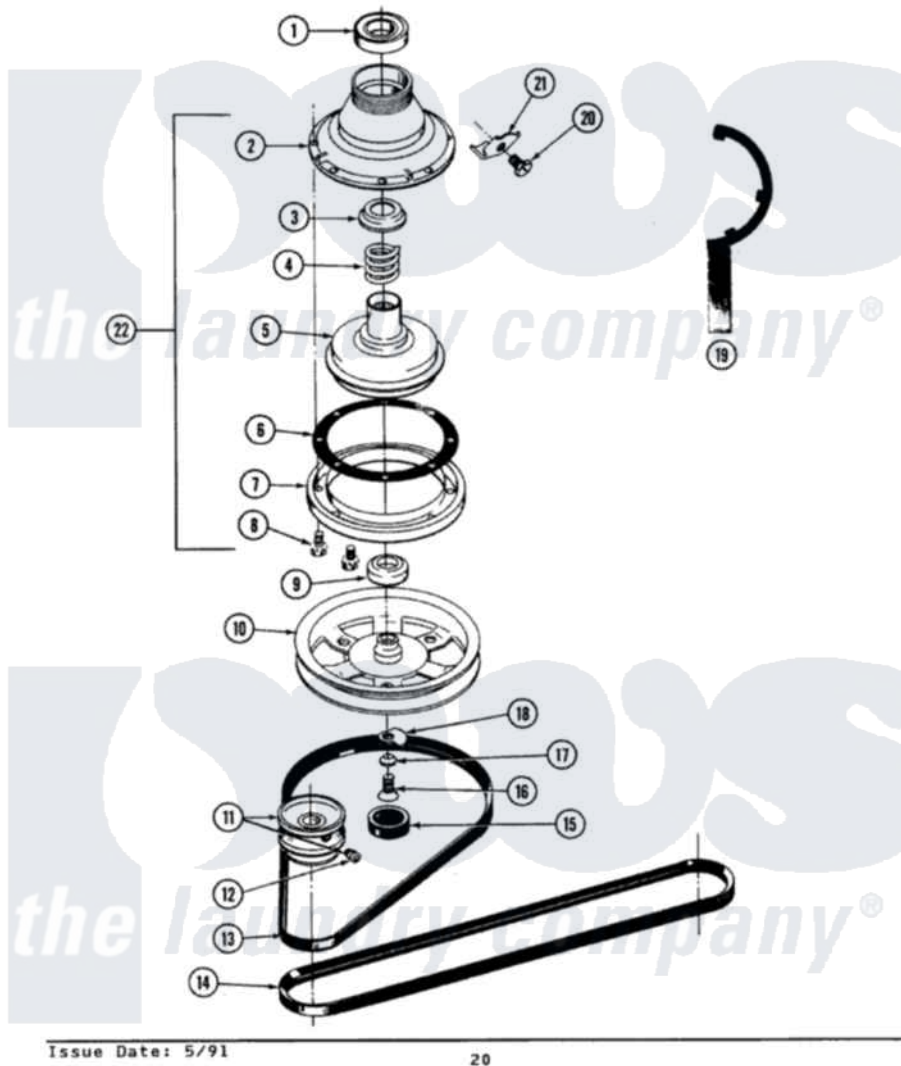


# Maytag LA8120 03 - CLUTCH, BRAKE & BELTS

SECTION: CLUTCH, BRAKE & BELTS  
 MODEL: A8120 A8210

P/N 16000168



Maytag [Residential Maytag LA8120 Washer Parts](#) Parts Diagram 03 - CLUTCH, BRAKE & BELTS  
 Click on the part number to view part

Item	Original Part Number	Replaced By	Status	Part Description
1	Y200720	<a href="#">22003441</a>		Bearing, Rear
2	211045	<a href="#">6-2011900</a>		Brake Asse
3	211039	<a href="#">6-2011900</a>		Brake Asse
4	211041	<a href="#">6-2011900</a>		Brake Asse
5	201126	<a href="#">6-2011900</a>		Brake Asse
6	211042	<a href="#">6-2011900</a>		Brake Asse
7	211043	<a href="#">6-2011900</a>		Brake Asse
8	211000			SCREW, BRAKE DRUM (HEX HEAD)
9	<a href="#">200835</a>			Bearing, Brake Rotor
10	211059	<a href="#">6-2301530</a>		Pulley
11	200816	<a href="#">6-2008160</a>		Pulley- MO
12	<a href="#">Y053241</a>			Set Screw, Motor Pulley
13	<a href="#">211125</a>			V Belt, Drive Pulley
14	<a href="#">211124</a>			Part Not Used
15	211038		Not Available	CAP, OIL RETAINER
16	211375	<a href="#">681582</a>		Screw

17	211090	<a href="#">22003555</a>	Washer, Stop Lug
18	<a href="#">211089</a>		Lug, Stop Pulley
19	Y038315	<a href="#">038315</a>	Tool
20	<a href="#">213326</a>		Bolt, Sems Retaining Clip
21	<a href="#">213325</a>		Clip, Retaining
22	201190	<a href="#">6-2011900</a>	Brake Asse

