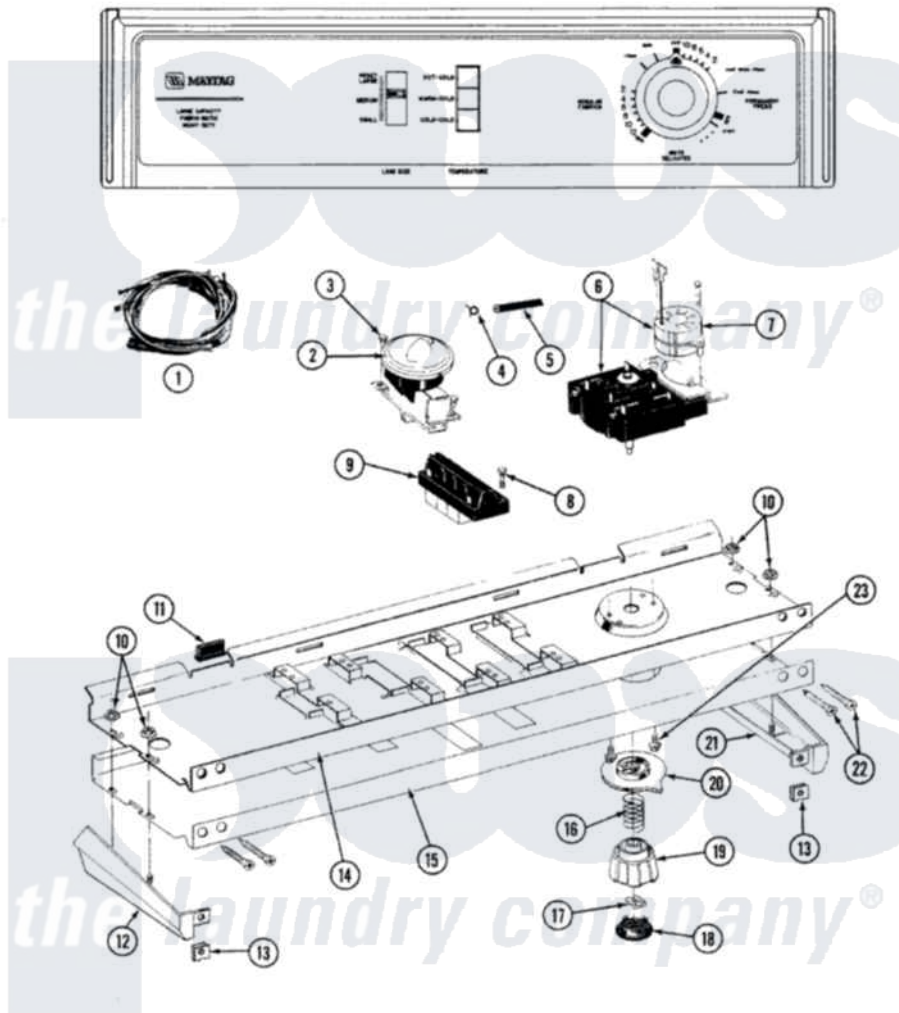


Maytag LA8120 04 - CONTROL PANEL

SECTION: CONTROL PANEL
MODEL: A8120

P/N 16000168



Issue Date: 5/91

2

Maytag [Residential Maytag LA8120 Washer Parts](#) Parts Diagram 04 - CONTROL PANEL
Click on the part number to view part

Item	Original Part Number	Replaced By	Status	Part Description
1	207383			Wire Harness
2	207362		Not Available	INFINITE LEVEL PRESSURE SWITCH
3	211168	W10139210		Screw, 8-18 X 5/16
4	410296	596669		Clamp, Manifold
5	212942	22001619		Tube, Water Level Switch
6	207377		Not Available	TIMER
7	205033	22205033		Motor- Tim
8	213117	67006908		Screw, Ice Rack
9	207368		Not Available	TEMP CONTROL SWITCH - 3 BUTTON
10	214872			Palnut, End Cap Note: Nut, Lamp Holder
11	214897			Pad, Control Panel
12	207215		Not Available	END CAP LH
13	214894			Fastener, End Cap
14	214818			Back Up Plate

15	207605	Not Available	CONTROL PANEL
16	211065		Spring, Index Wheel
17	211605		Bezel, Timer Dial
18	215821	Not Available	CAP, KNOB
19	215828		Knob, Timer
20	215827	Not Available	TIMER DIAL SKIRT
21	207216	Not Available	END CAP RH
22	210932		Screw, No.8 X 9/16 Ctsk Note: Screw, Inlet Duct
23	213966	3400014	Screw

