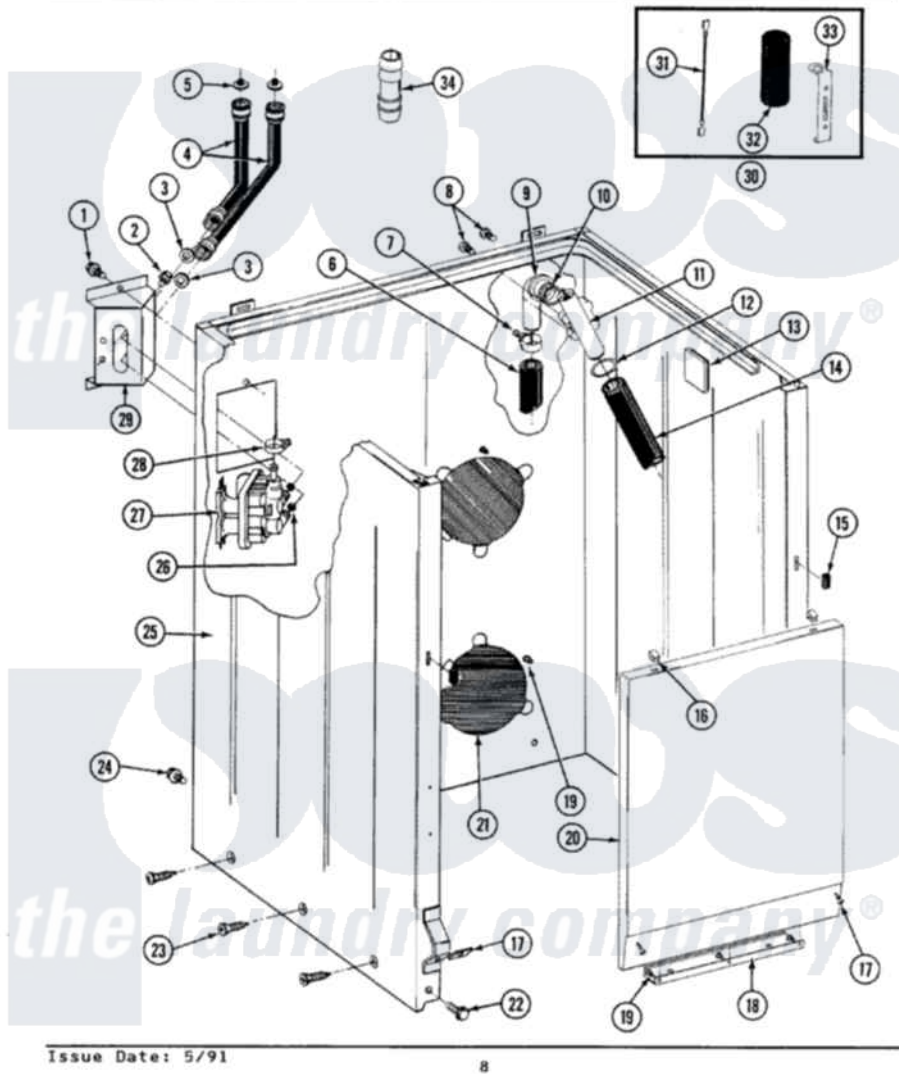


Maytag LA8210 02 - CABINET

SECTION: CABINET
 MODEL: A8120 A8210

P/N 16000168



Issue Date: 5/91

8

Maytag [Residential Maytag LA8210 Washer Parts](#) Parts Diagram 02 - CABINET
 Click on the part number to view part

Item	Original Part Number	Replaced By	Status	Part Description
1	212276	W10116760		Screw
2	Y313561			Screw---NA
3	Y013783			Washer, Inlet Hose
4	202860			Inlet Hose Assembly
5	200961	12001413		Strainer And Washer Kit
6	216017			Hose, Drain
"	215279	22003410		Hose, Drain
"	Y059149			(7/8" I.D. CARTON OF 50 FT.)
7	200908	285655		Clamp, Hose
"	200461	285655		Clamp, Hose
8	Y014874			Screw, Idler Arm And Sleeve
9	214764	208847		Elbow
"	Y216016	W10116738		Elbow
10	214765			Gasket, Siphon Break
11	206638			Siphon Break
12	200461	285655		Clamp, Hose

13	215058		Pad, Cabinet Bumper
14	214767	22001448	Hose, Pump
15	214376	22002331	Spacer, Front Panel
16	212982	22001650	Fastener, Spring
17	204439		Screw And Fstner Assembly
18	213846		Guard, Belt
19	211294	90767	Screw, 8A X 3/8 HeX Washer Head Tapping
20	212998L	Not Available	FRONT PANEL-ALMOND
21	211878	Not Available	PLATE, ACCESS
22	213122	27001200	Screw
23	213007		Xfor Cabinet See Cabinet, Back
24	213121	3400111	Screw, 12-14 X 5/8
25	203319L	Not Available	(ALMOND)
26	214337	96160	Screen
27	205613		Water Valve
28	201575		Clamp, Hose
29	214812	22002361	Bracket, Water Valve
30	206103		Capacitor Kit
31	203237		No.17 Wire With Terminal
32	Y200832		Capacitor
33	211149		Clip, Capacitor
34	Y216015		Coupling, Hose

