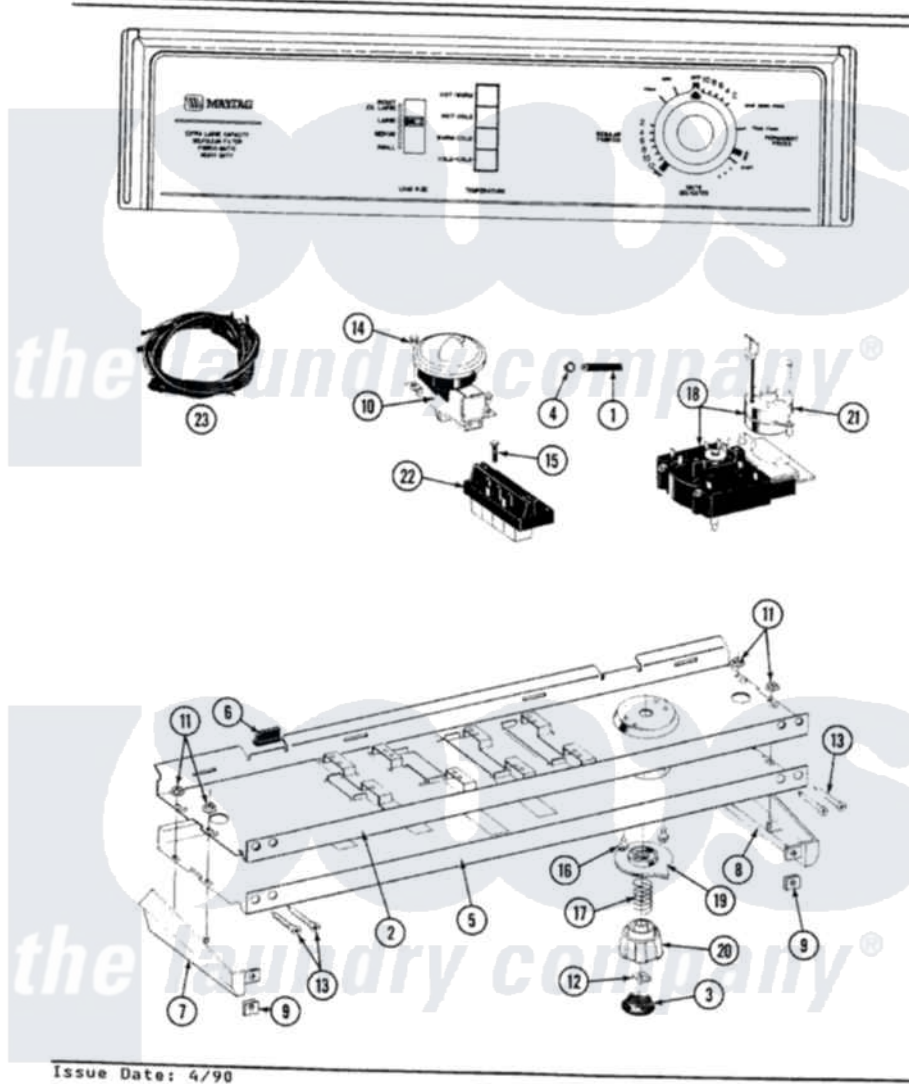


Maytag LA9300 04 - CONTROL PANEL

SECTION: CONTROL PANEL
MODEL: A9300



Issue Date: 4/90

22

Maytag Residential Maytag LA9300 Washer Parts Diagram 04 - CONTROL PANEL
Click on the part number to view part

Item	Original Part Number	Replaced By	Status	Part Description
1	212942	22001619		Tube, Water Level Switch
2	214809			Back Up Plate
3	215821		Not Available	CAP, KNOB
4	410296	596669		Clamp, Manifold
5	207389		Not Available	CONTROL PANEL
6	214897			Pad, Control Panel
7	207215		Not Available	END CAP LH
8	207216		Not Available	END CAP RH
9	214894			Fastener, End Cap
10	207360			Infinite Level Press Switch
11	214872			Palnut, End Cap Note: Nut, Lamp Holder
12	211605			Bezel, Timer Dial
13	210932			Screw, No.8 X 9/16 Ctsk Note: Screw, Inlet Duct
14	211168	W10139210		Screw, 8-18 X 5/16
15	213117	67006908		Screw, Ice Rack

16	213966	3400014	Screw
17	211065		Spring, Index Wheel
18	207376	22207376	Timer
19	215827		Not Available TIMER DIAL SKIRT
20	215828		Knob, Timer
21	205033	22205033	Motor- Tim
22	207367		Not Available TEMP CONTROL SWITCH - 4 BUTTON
23	207382		Wire Harness

