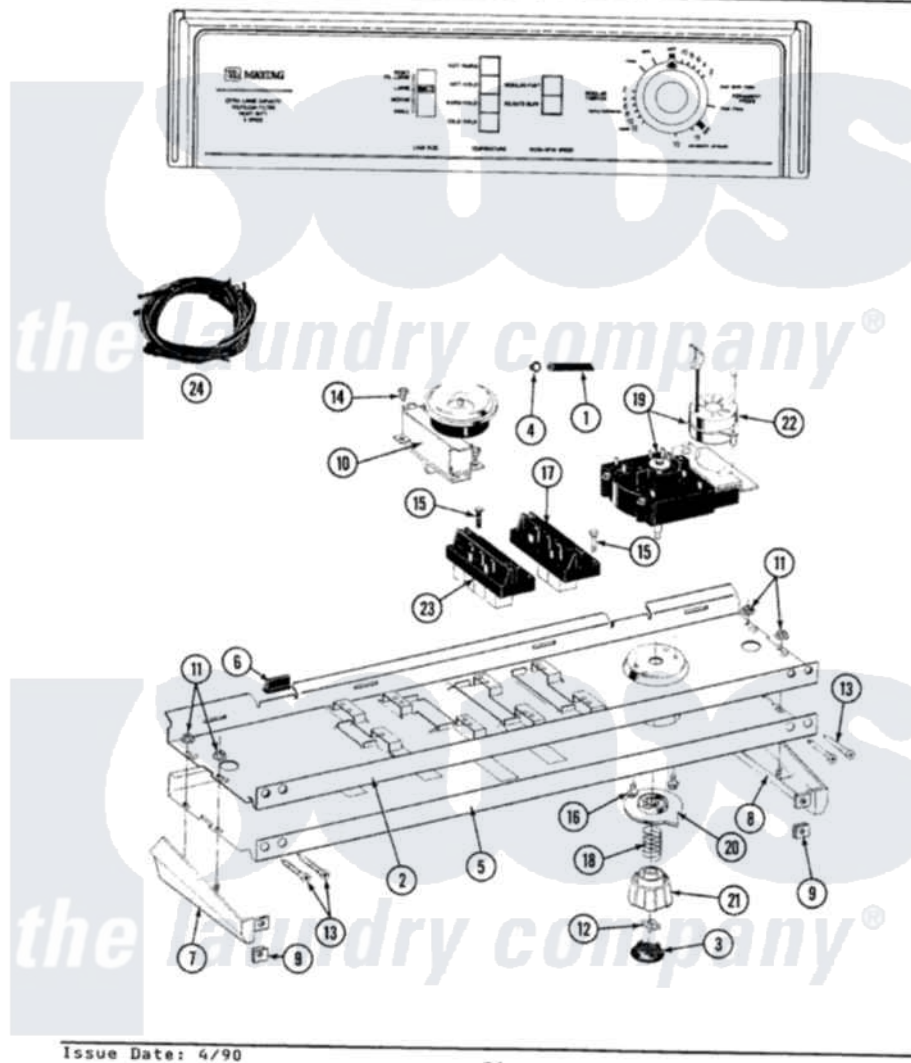


Maytag LA9600 04 - CONTROL PANEL

SECTION: CONTROL PANEL
MODEL: A9600



Issue Date: 4/90

26

Maytag [Residential Maytag LA9600 Washer Parts](#) Parts Diagram 04 - CONTROL PANEL
Click on the part number to view part

Item	Original Part Number	Replaced By	Status	Part Description
1	212942	22001619		Tube, Water Level Switch
2	214809			Back Up Plate
3	215821		Not Available	CAP, KNOB
4	410296	596669		Clamp, Manifold
5	207387		Not Available	CONTROL PANEL
6	214897			Pad, Control Panel
7	207215		Not Available	END CAP LH
8	207216		Not Available	END CAP RH
9	214894			Fastener, End Cap
10	207360			Infinite Level Press Switch
11	214872			Palnut, End Cap Note: Nut, Lamp Holder
12	211605			Bezel, Timer Dial
13	210932			Screw, No.8 X 9/16 Ctsk Note: Screw, Inlet Duct
14	211168	W10139210		Screw, 8-18 X 5/16
15	213117	67006908		Screw, Ice Rack

16	213966	3400014	Screw
17	207370		Speed Control Switch - 2 Butto
18	211065		Spring, Index Wheel
19	207373		Timer
20	215827	Not Available	TIMER DIAL SKIRT
21	215828		Knob, Timer
22	205033	22205033	Motor- Tim
23	207367	Not Available	TEMP CONTROL SWITCH - 4 BUTTON
24	207381	Not Available	WIRE HARNESS

