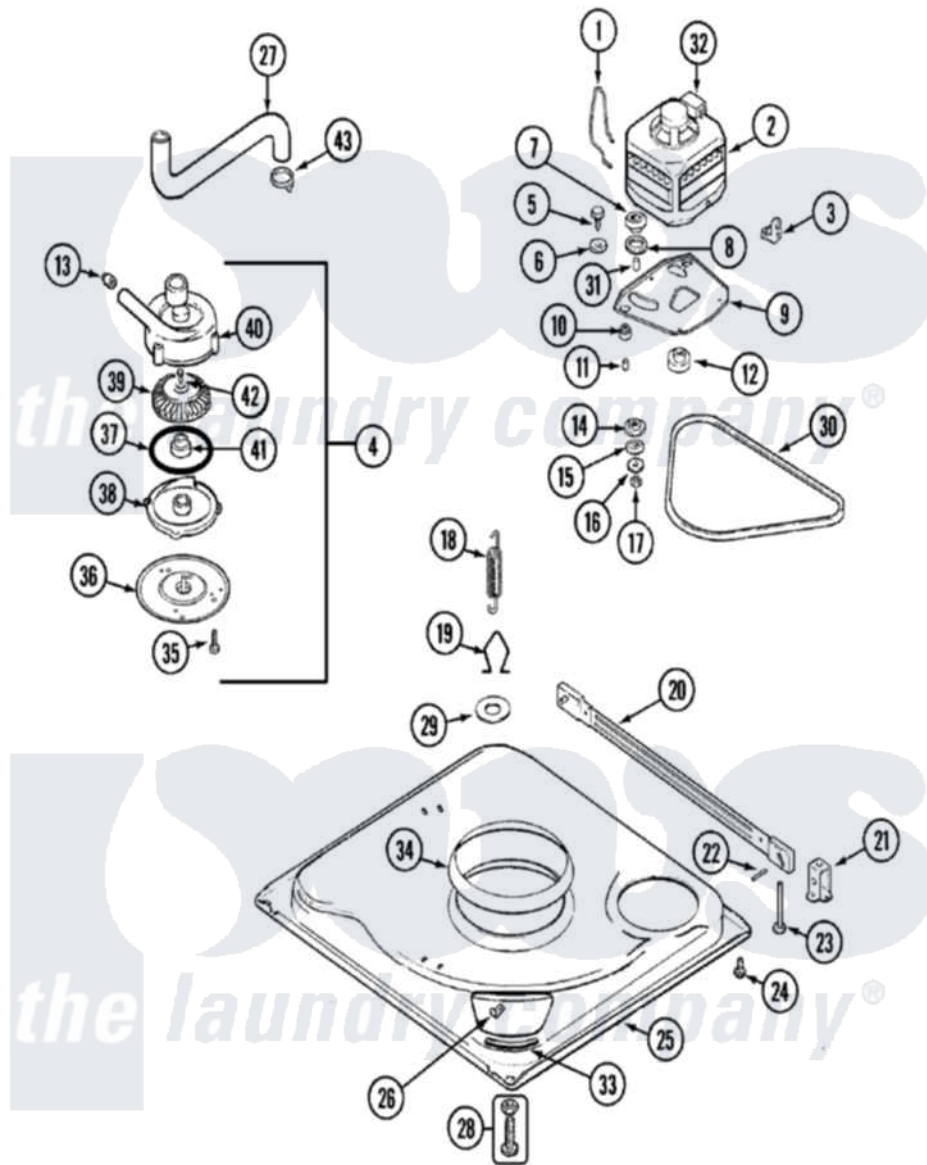


Maytag LAT1000AKE 01 - BASE



Maytag [Residential Maytag LAT1000AKE Washer Parts](#) Parts Diagram 01 - BASE
 Click on the part number to view part

| Item | Original Part Number | Replaced By | Status | Part Description |
|------|-------------------------|---------------------------|--------|--------------------------|
| 1 | 21001110 | 22004376 | | Spring, Motor Pivot |
| 2 | 21001231 | LA-2003 | | Motor Replacement Kit |
| 3 | 21001109 | 21001486 | | Foot Slide, Isolator |
| 4 | 35-3834 | 35-6465 | | Pump Assem |
| 5 | 25-7833 | 21001977 | | Screw |
| 6 | 25-7834 | | | Washer, Motor/Base Screw |
| 7 | 33-9946 | | | Isolator, Motor |
| 8 | 35-3570 | | | Washer, Motor Pivot |
| 9 | 21001111 | 21001783 | | Plate And Screw Assembly |
| 10 | 35-3646 | | | Isolator, Motor Plate |
| 11 | 25-7831 | | | Spacer, Mounting |
| 12 | 35-2124 | W10143344 | | Pulley |
| " | 25-7117 | | | Set Screw |
| 13 | 35-2344 | | | Restrictor, Flow |
| 14 | 35-3571 | | | Slide, Motor Pivot |
| 15 | 33-9967 | | | Washer, Motor Isolator |

| | | | |
|----|--------------------------|--------------------------|-------------------------------|
| 16 | 25-7047 | | Washer, Flat |
| 17 | 25-7325 | Y707702 | Locknut |
| 18 | 21001165 | | Spring, Suspension |
| " | 21001138 | 22002922 | Tool, Spring Removal |
| 19 | 21001166 | | Hook, Suspension Spring |
| 20 | 35-2049 | 21001881 | Bar, Stabilizer |
| 21 | 35-2046 | | Bracket, Stabilizer |
| 22 | 35-2052 | | Pin, Stabilizer |
| 23 | 35-3020 | 22004469 | Leg And Foot Self Stabalizing |
| 24 | 31001041 | 308685 | Side Trim) |
| 25 | 21001169 | 12002701 | Base Kit |
| 26 | 25-7845 | | Speednut, Motor |
| 27 | 35-3584 | 21001915 | Hose, Tub To Pump |
| 28 | 35-3507 | 25001119 | Foot And Pad Assembly |
| 29 | Y25-7951 | | Washer, Suspension Hook |
| 30 | 21352320 | | Belt, Drive |
| 31 | 25-7830 | | Spacer |
| 32 | 33-9765 | | Switch, Motor |
| 33 | 35-2065 | | Pad, Motor Plate |
| 34 | 21001161 | 21002026 | Snubber |
| 35 | 25-7419 | Not Available | SCREW |
| 36 | 33-6035 | Not Available | PLATE & PULLEY ASSY. |
| 37 | 33-6032 | | Gasket |
| 38 | 35-2058 | | Base, Pump |
| 39 | 35-2057 | 35-6465 | Pump Assem |
| 40 | 35-2056 | Not Available | HOUSING, PUMP |
| 41 | 35-0707 | | Seal, Seat And "O" Ring |
| 42 | 25-7828 | 489483 | Screw 10-32 X 1/2 |
| 43 | 25-6068 | 285655 | Clamp, Hose |

