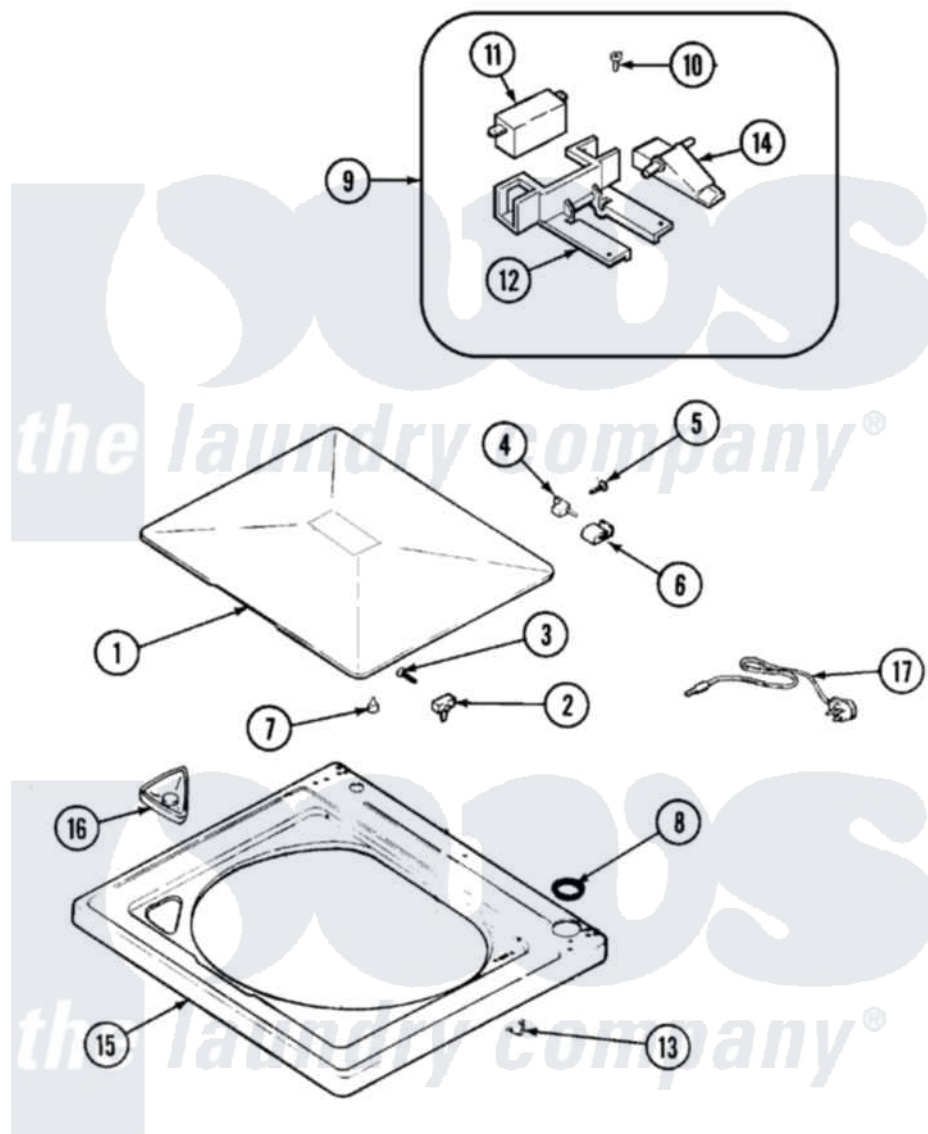


# Maytag LAT1000GGE 04 - TOP



Maytag [Residential Maytag LAT1000GGE Washer Parts](#) Parts Diagram 04 - TOP  
 Click on the part number to view part

Item	Original Part Number	Replaced By	Status	Part Description
1	<a href="#">35-2026</a>			Lid
2	<a href="#">43-0057</a>			Actuator, Door Switch
3	<a href="#">25-7438</a>			Screw
4	<a href="#">35-2045</a>			Pin, Hinge
5	<a href="#">25-7893</a>			Screw
6	<a href="#">35-2044</a>			Hinge, Lid
7	<a href="#">35-0581</a>			Bumper, Door
8	<a href="#">35-2063</a>			Bushing, Insulator
9	21001137	<a href="#">12001187</a>		Kit, Lid Switch Assembly
10	21001136	<a href="#">3400872</a>		Screw, 8-18 X 3/8
11	21001148	<a href="#">12001187</a>		Kit, Lid Switch Assembly
12	<a href="#">21001135</a>			Housing, Lid Switch
13	<a href="#">25-7878</a>			Clip
14	<a href="#">21001134</a>			Lever, Lid Switch
15	<a href="#">35-2739</a>			Top, Cabinet
16	<a href="#">21001167</a>			Dispenser, Bleach

17	21001458	<a href="#">10091101</a>	Block-Fuse
"	<a href="#">21001457</a>		Fuse
"	21001376	Not Available	CORD, POWER
"	<a href="#">35-1007</a>		Strain Relief
"	<a href="#">21001644</a>		Assembly, Lead And Sleeve

