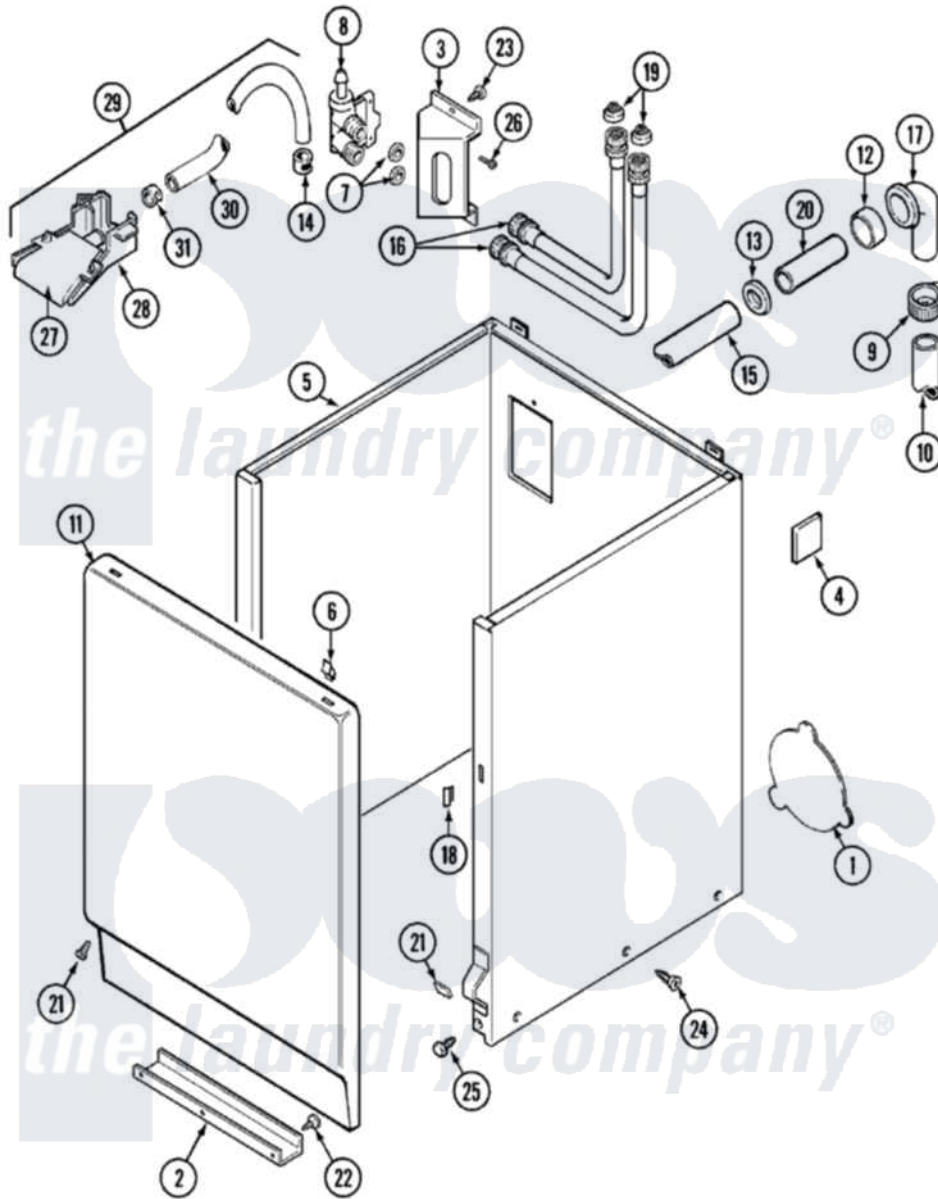


# Maytag LAT7304AAM 02 - CABINET (LAT7304AAM & ABM)



Maytag Residential Maytag LAT7304AAM Washer Parts Parts Diagram 02 - CABINET (LAT7304AAM & ABM)  
 Click on the part number to view part

| Item | Original Part Number     | Replaced By              | Status        | Part Description                        |
|------|--------------------------|--------------------------|---------------|---|
| 1    | 211294                   | <a href="#">90767</a>    |               | Screw, 8A X 3/8 HeX Washer Head Tapping |
| "    | 211878                   |                          | Not Available | PLATE, ACCESS                           |
| 2    | <a href="#">213846</a>   |                          |               | Guard, Belt                             |
| 3    | 214812                   | <a href="#">22002361</a> |               | Bracket, Water Valve                    |
| 4    | <a href="#">215058</a>   |                          |               | Pad, Cabinet Bumper                     |
| 5    | <a href="#">22001303</a> |                          |               | Cabinet ---NA                           |
| 6    | 212982                   | <a href="#">22001650</a> |               | Fastener, Spring                        |
| 7    | <a href="#">Y013783</a>  |                          |               | Washer, Inlet Hose                      |
| 8    | 214337                   | <a href="#">96160</a>    |               | Screen                                  |
| "    | <a href="#">22001274</a> |                          |               | Valve, Water                            |
| 9    | 200908                   | <a href="#">285655</a>   |               | Clamp, Hose                             |
| 10   | <a href="#">216017</a>   |                          |               | Hose, Drain                             |
| "    | <a href="#">Y059149</a>  |                          |               | (7/8" I.D. CARTON OF 50 FT.)            |
| 11   | 33001221                 | <a href="#">22001817</a> |               | Sheet, Sound Damper                     |
| "    | 216078L                  |                          | Not Available | PANEL, FRONT (ALM) SUB                  |

|    |                          |                           |   |
|----|--------------------------|---------------------------|---|
| 12 | <a href="#">214765</a>   |                           | Gasket, Siphon Break                    |
| 13 | 202574                   | <a href="#">3367052</a>   | Clamp, Hose                             |
| 14 | 216169                   | <a href="#">596669</a>    | Clamp, Manifold                         |
| 15 | 214767                   | <a href="#">22001448</a>  | Hose, Pump                              |
| 16 | <a href="#">202860</a>   |                           | Inlet Hose Assembly                     |
| 17 | Y216016                  | <a href="#">W10116738</a> | Elbow                                   |
| 18 | 214376                   | <a href="#">22002331</a>  | Spacer, Front Panel                     |
| 19 | 200961                   | <a href="#">12001413</a>  | Strainer And Washer Kit                 |
| 20 | <a href="#">Y014874</a>  |                           | Screw, Idler Arm And Sleeve             |
| "  | <a href="#">206638</a>   |                           | Siphon Break                            |
| 21 | <a href="#">204439</a>   |                           | Screw And Fstner Assembly               |
| 22 | 211294                   | <a href="#">90767</a>     | Screw, 8A X 3/8 HeX Washer Head Tapping |
| 23 | 212276                   | <a href="#">W10116760</a> | Screw                                   |
| 24 | <a href="#">213007</a>   |                           | Xfor Cabinet See Cabinet, Back          |
| 25 | 213121                   | <a href="#">3400111</a>   | Screw, 12-14 X 5/8                      |
| "  | 213122                   | <a href="#">27001200</a>  | Screw                                   |
| 26 | <a href="#">Y313561</a>  |                           | Screw----NA                             |
| 27 | <a href="#">22001187</a> |                           | Injector                                |
| 28 | <a href="#">22001186</a> |                           | Injector                                |
| 29 | <a href="#">22001304</a> |                           | Water Injector Assembly                 |
| 30 | <a href="#">22001190</a> |                           | Hose, Injector                          |
| 31 | 216170                   | <a href="#">489503</a>    | Clamp                                   |

