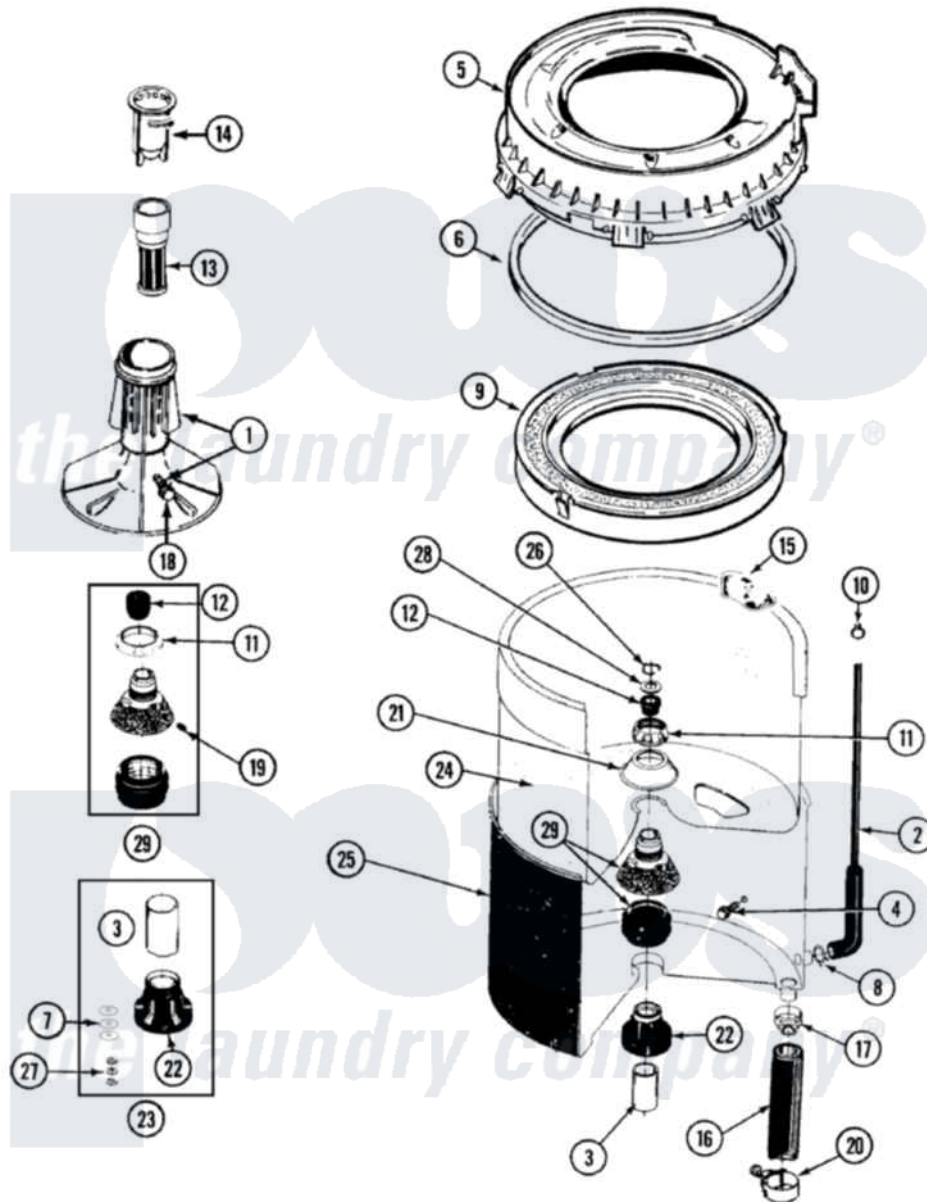


Maytag LAT8004AAE 07 - TUB



Maytag [Residential Maytag LAT8004AAE Washer Parts](#) Parts Diagram 07 - TUB
 Click on the part number to view part

| Item | Original Part Number | Replaced By | Status | Part Description |
|------|--------------------------|---------------------------|---------------|--------------------------------|
| 1 | 207538 | | | Agitator W/Lock Screw |
| 2 | 22001036 | 22001619 | | Tube, Water Level Switch |
| 3 | 211130 | | | Bearing Liner, Tub Bearing |
| 4 | 200744 | W10175939 | | Bolt |
| " | 205254 | W10175938 | | Bolt |
| 5 | 22001299 | | | Tub Cover And Gasket Assembly |
| 6 | Y22001201 | 22001007 | | Gasket, Cover To Tub |
| 7 | 211100 | | | Washer, Outer Tub |
| 8 | 211641 | | | Clamp, 1-1/16" |
| 9 | 22001142 | | | Ring, Balance |
| 10 | 410296 | 596669 | | Clamp, Manifold |
| 11 | 211047 | 6-2110472 | | Nut- Clamp |
| 12 | Y0A4298 | 6-0A57420 | | Seal- Agitator |
| 13 | 22001296 | | Not Available | FILTER, LINT (DISPENSER HSNG.) |
| 14 | 22001294 | | | Cup, Dispensing |

| | | | |
|----|-------------------------|---------------------------|---------------------------|
| 15 | 215980 | | Plug, Filter Hole |
| 16 | Y212989 | | Hose, Outer Tub To Pump |
| 17 | 201011 | 285655 | Clamp, Hose |
| 18 | 206478 | | Not Available |
| 19 | 211618 | 22001423 | Set Screw, Mounting Stem |
| 20 | 202574 | 3367052 | Clamp, Hose |
| 21 | 211210 | | Washer, Clamping Nut |
| 22 | 200824 | 6-2040130 | Tub Bearin |
| 23 | 204013 | 6-2040130 | Tub Bearin |
| 24 | 22001140 | Y2201881 | Tub, Inner Short White SP |
| 25 | 22001115 | 22003312 | Tub, Outer |
| 26 | Y015667 | | Retaining Ring |
| 27 | Y054867 | | Washer, Lock |
| 28 | Y015666 | | Washer, Retaining - |
| 29 | 204012 | 6-2095720 | Mounting S |

