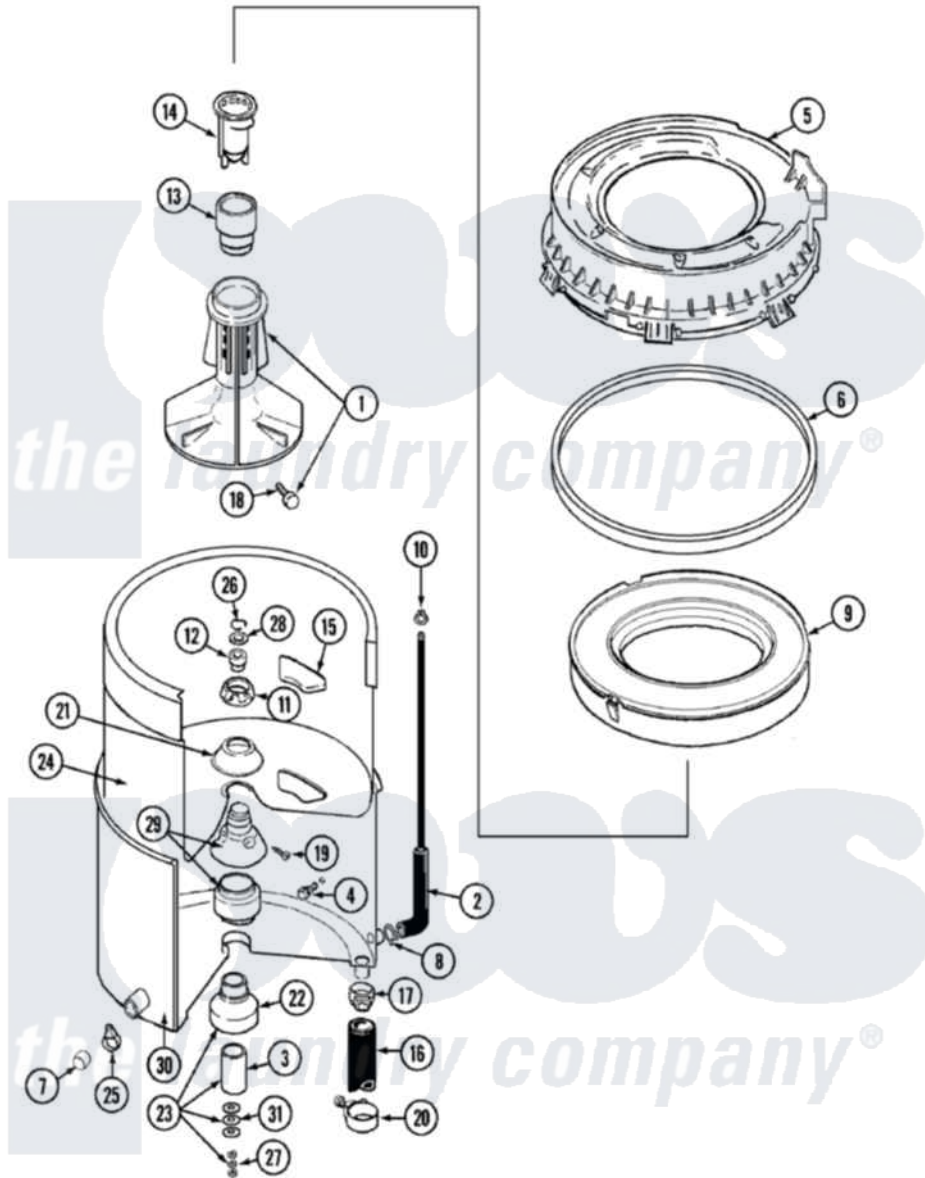


# Maytag LAT8104AAL 07 - TUB



Maytag [Residential Maytag LAT8104AAL Washer Parts](#) Parts Diagram 07 - TUB  
 Click on the part number to view part

Item	Original Part Number	Replaced By	Status	Part Description
1	<a href="#">207538</a>			Agitator W/Lock Screw
2	22001036	<a href="#">22001619</a>		Tube, Water Level Switch
3	<a href="#">211130</a>			Bearing Liner, Tub Bearing
4	200744	<a href="#">W10175939</a>		Bolt
"	205254	<a href="#">W10175938</a>		Bolt
5	<a href="#">22001299</a>			Tub Cover And Gasket Assembly
6	Y22001201	<a href="#">22001007</a>		Gasket, Cover To Tub
7	<a href="#">214725</a>			Cap For Spout-Outer Tub
8	<a href="#">211641</a>			Clamp, 1-1/16"
9	<a href="#">22001142</a>			Ring, Balance
10	410296	<a href="#">596669</a>		Clamp, Manifold
11	211047	<a href="#">6-2110472</a>		Nut- Clamp
12	Y0A4298	<a href="#">6-0A57420</a>		Seal- Agitator
13	<a href="#">22001295</a>			Housing, Dispenser
14	<a href="#">22001294</a>			Cup, Dispensing
15	<a href="#">207219</a>			Filter, Self-Cleaning

16	<a href="#">Y212989</a>		Hose, Outer Tub To Pump
17	201011	<a href="#">285655</a>	Clamp, Hose
18	206478	Not Available	SCREW & WASHER FOR AGITATOR
19	211618	<a href="#">22001423</a>	Set Screw, Mounting Stem
20	202574	<a href="#">3367052</a>	Clamp, Hose
21	<a href="#">211210</a>		Washer, Clamping Nut
22	200824	<a href="#">6-2040130</a>	Tub Bearin
23	204013	<a href="#">6-2040130</a>	Tub Bearin
24	22001140	<a href="#">Y2201881</a>	Tub, Inner Short White SP
25	214739	<a href="#">596669</a>	Clamp, Manifold
26	<a href="#">Y015667</a>		Retaining Ring
27	<a href="#">Y054867</a>		Washer, Lock
28	<a href="#">Y015666</a>		Washer, Retaining -
29	204012	<a href="#">6-2095720</a>	Mounting S
30	22001115	<a href="#">22003312</a>	Tub, Outer
31	<a href="#">211100</a>		Washer, Outer Tub

