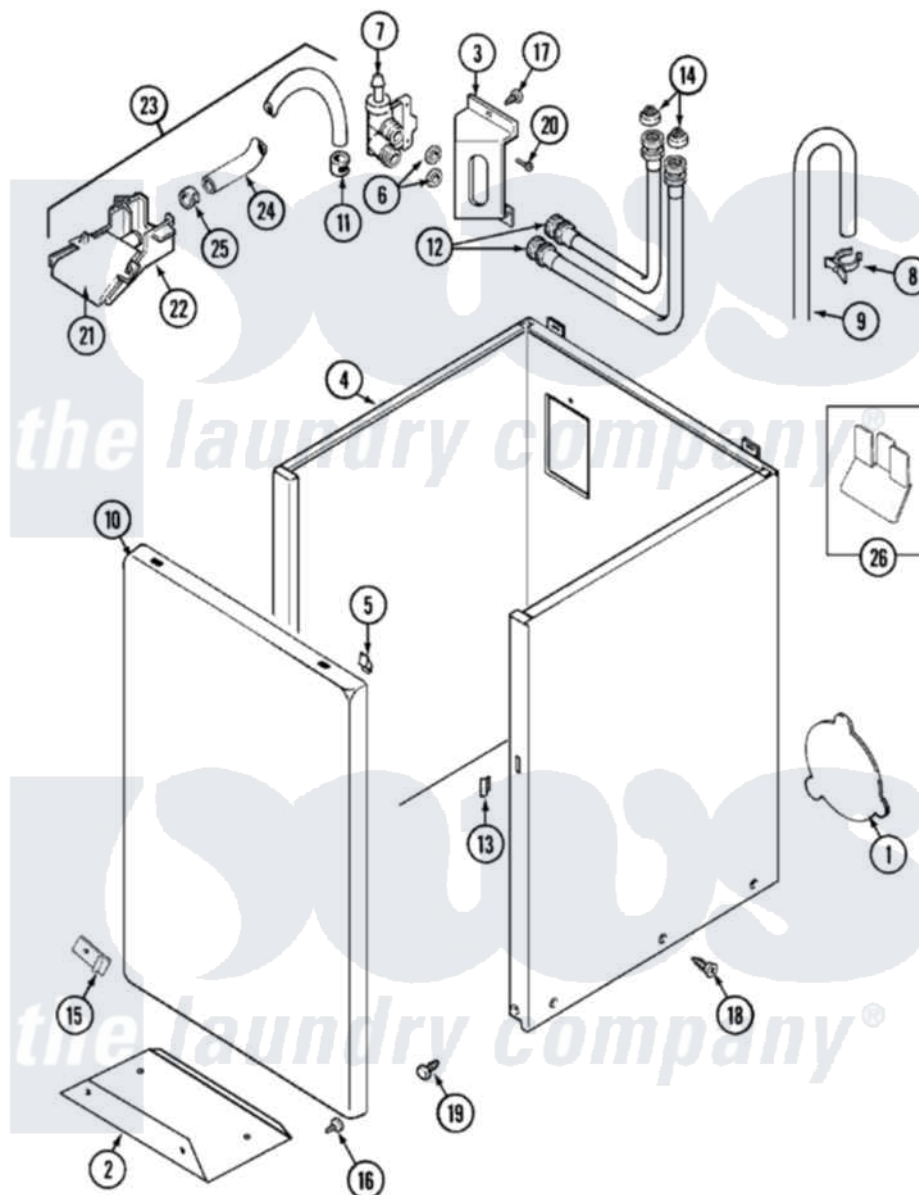


## Maytag LAT8106AAE 02 - CABINET



Maytag [Residential Maytag LAT8106AAE Washer Parts](#) Parts Diagram 02 - CABINET

[Click on the part number to view part](#)

Item	Original Part Number	Replaced By	Status	Part Description
1	211294	<a href="#">90767</a>		Screw, 8A X 3/8 HeX Washer Head Tapping
"	211878		Not Available	PLATE, ACCESS
"	22001683	<a href="#">22002924</a>		Plate, Access
2	<a href="#">213846</a>			Guard, Belt
3	214812	<a href="#">22002361</a>		Bracket, Water Valve
"	<a href="#">22002361</a>			Bracket, Water Valve
4	22001302	<a href="#">22004425</a>		Cabinet White Aspack
"	22002379	<a href="#">22004425</a>		Cabinet White Aspack
5	<a href="#">22001650</a>			Fastener, Spring
6	<a href="#">Y013783</a>			Washer, Inlet Hose
7	214337	<a href="#">96160</a>		Screen
"	<a href="#">22002360</a>			Valve, Water
"	<a href="#">22001274</a>			Valve, Water
8	22001815	<a href="#">22002765</a>		Clip, Hose
9	<a href="#">22001816</a>			Hose, Drain
10	<a href="#">22001817</a>			Sheet, Sound Damper



"	22001803	Not Available	PANEL, FRONT (WHT)
"	22002366	Not Available	PANEL, FRONT (WHT)
11	216169	<a href="#">596669</a>	Clamp, Manifold
12	<a href="#">202860</a>		Inlet Hose Assembly
13	214376	<a href="#">22002331</a>	Spacer, Front Panel
14	200961	<a href="#">12001413</a>	Strainer And Washer Kit
15	<a href="#">22001995</a>		Screw Note: Screw, Tumbler Front And Shroud
"	<a href="#">22002377</a>		Clip, Retainer
"	<a href="#">12001341</a>		Screw And Fastener Kit
"	22002378	<a href="#">27001200</a>	Screw
"	<a href="#">22002376</a>		Clip
16	211294	<a href="#">90767</a>	Screw, 8A X 3/8 HeX Washer Head Tapping
17	<a href="#">22002372</a>		Screw
"	212276	<a href="#">W10116760</a>	Screw
18	<a href="#">213007</a>		Xfor Cabinet See Cabinet, Back
19	213122	<a href="#">27001200</a>	Screw
"	213121	<a href="#">3400111</a>	Screw, 12-14 X 5/8
20	<a href="#">Y313561</a>		Screw----NA
21	<a href="#">22001187</a>		Injector
22	<a href="#">22001186</a>		Injector
23	<a href="#">22001304</a>		Water Injector Assembly
24	<a href="#">22001190</a>		Hose, Injector
25	216169	<a href="#">596669</a>	Clamp, Manifold
26	<a href="#">22001972</a>		Clip, Cabinet