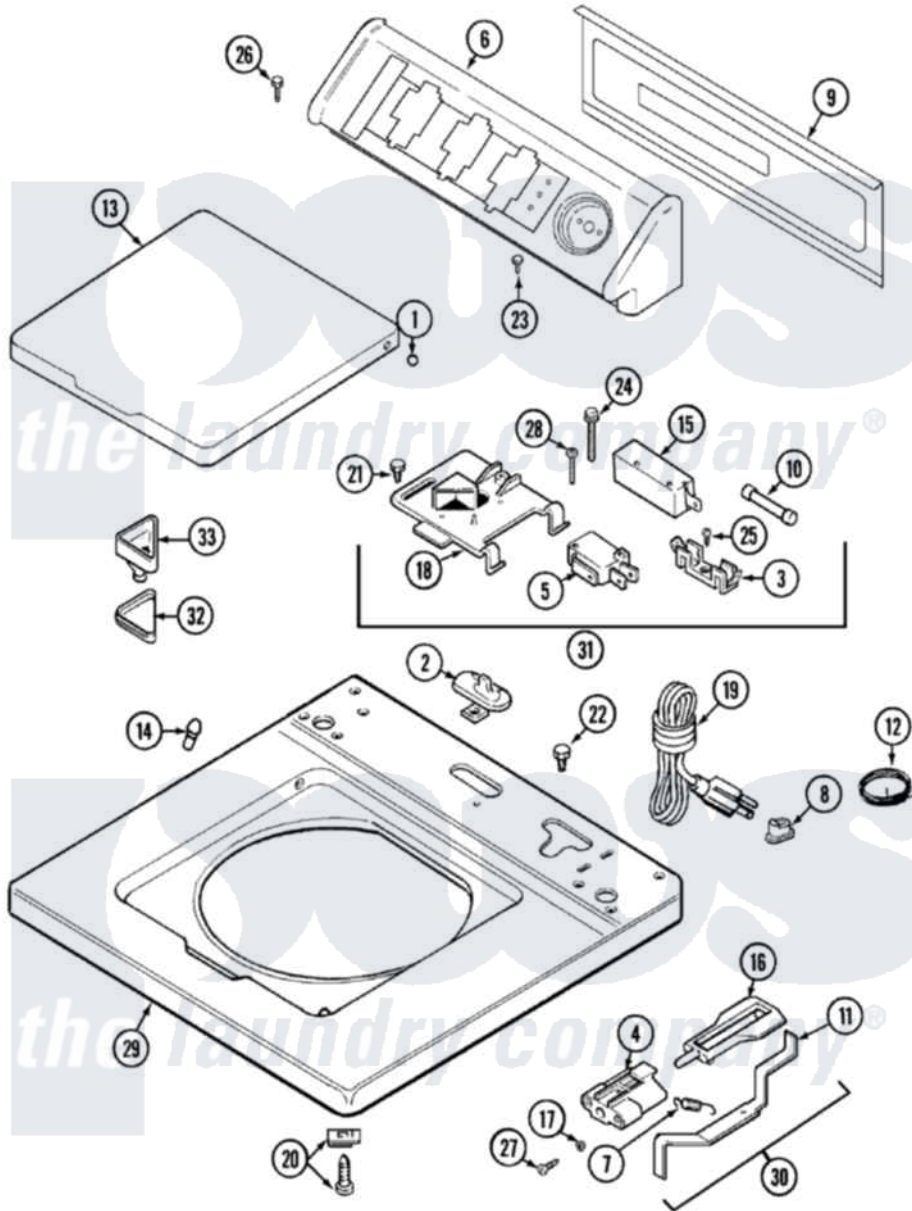


Maytag LAT8106ABE 05 - TOP



Maytag [Residential Maytag LAT8106ABE Washer Parts](#) Parts Diagram 05 - TOP
 Click on the part number to view part

Item	Original Part Number	Replaced By	Status	Part Description
1	211726			Hinge, Ball Lid
2	22001298			Cap, Top Cover
"	207159	489355		Screw, 8 X 1/2
3	207167			Block, Fuse
4	22001645		Not Available	BRACKET, UNBALANCE----NA
5	207166			Switch, Check
6	22001670			Console
7	213720			Spring, Lid Switch
8	211881			Grommet, Cord Part Not Used--Gas Models Only
9	216423	3370225		Screw
"	22001662	8534058		Screw
"	22001814			Back Panel, Console
10	22001673	22001682		Switch Assembly, Lid W/4amp Fuse
11	22001672			Lever, Unbalance

12	22001654		Wire, Ground
"	Y705026	3370225	Screw
13	22001674	22001893	Lid
"	22001676	22001893	Lid
14	212716		Bumper, Lid
15	22001967	12001908	Switch-Lid
16	216255		Plunger, Lid Switch
17	211500		Washer, Bracket To Top Cover
18	22001678		Bracket, Switch And Fuse
19	208194	22003062	Cord, Power
20	22001402	214354	Screw, Top Cover To Cabnt.
21	207159	489355	Screw, 8 X 1/2
22	Y705026	3370225	Screw
23	216423	3370225	Screw
24	213501		Screw, No.6-20 X 1-1/8 Inch
25	Y311711		Screw, Fuse Block
26	216423	3370225	Screw
27	22001600	25-7809	Screw, No.6-20 1/2 Flthd Torx
28	22001352		Screw, Check Switch
29	22001679	22002137	Cover Assembly, Top
30	22001681		Unbalance Lever Assembly
31	22001682		Switch Assembly, Lid W/4amp Fuse

