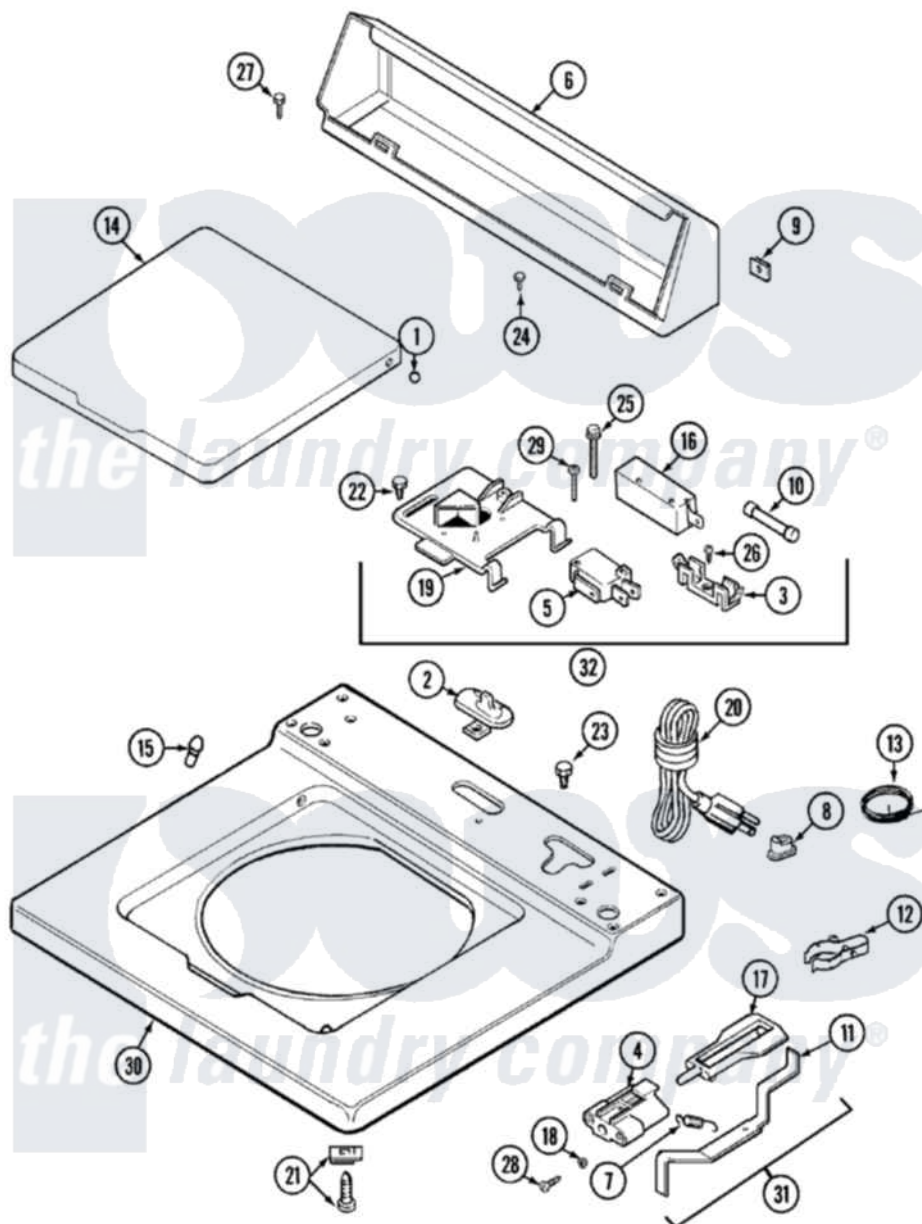


Maytag LAT8305AAE 05 - TOP



Maytag [Residential Maytag LAT8305AAE Washer Parts](#) Parts Diagram 05 - TOP
 Click on the part number to view part

| Item | Original Part Number | Replaced By | Status | Part Description |
|------|--------------------------|--------------------------|---------------|---|
| 1 | 211726 | | | Hinge, Ball Lid |
| 2 | 207159 | 489355 | | Screw, 8 X 1/2 |
| " | 22001298 | | | Cap, Top Cover |
| 3 | 207167 | | | Block, Fuse |
| 4 | 216256 | | Not Available | BRACKET, UNBALANCE |
| 5 | 207166 | | | Switch, Check |
| 6 | 205635 | | | Console |
| 7 | 213720 | | | Spring, Lid Switch |
| 8 | 211881 | | | Grommet, Cord Part Not Used-Gas Models Only |
| 9 | 215075 | | | Fastener, Control Panel To Console |
| 10 | 207168 | 22001682 | | Switch Assembly, Lid W/4amp Fuse |
| 11 | 22001136 | | | Lever, Unbalance |
| 12 | 301548 | | | Clamp, Ground Wire |
| 13 | 311155 | | | Ground Wire And Clamp |

| | | | |
|----|--------------------------|--------------------------|-------------------------------------|
| 14 | 22001206 | 22001893 | Lid |
| 15 | 212716 | | Bumper, Lid |
| 16 | 205415 | 279347 | Switch-Lid |
| 17 | 216255 | | Plunger, Lid Switch |
| 18 | 211500 | | Washer, Bracket To Top Cover |
| 19 | Y215699 | 22001678 | Bracket, Switch And Fuse |
| 20 | 208194 | 22003062 | Cord, Power |
| 21 | 204445 | | Screw And Fastener Assembly |
| 22 | 207159 | 489355 | Screw, 8 X 1/2 |
| 23 | 315483 | 3370225 | Screw |
| 24 | 216423 | 3370225 | Screw |
| 25 | 213501 | | Screw, No.6-20 X 1-1/8 Inch |
| 26 | Y311711 | | Screw, Fuse Block |
| 27 | Y313559 | | Screw |
| 28 | 910182 | 25-7809 | Screw, No.6-20 1/2 Flthd Torx |
| 29 | 22001352 | | Screw, Check Switch |
| 30 | 22001117 | | TOP COVER ASSEMBLY (WHT) |
| 31 | 22001311 | | Unbalance Lever Assembly |
| 32 | 207176 | 22001682 | Switch Assembly, Lid W/4amp Fuse |

