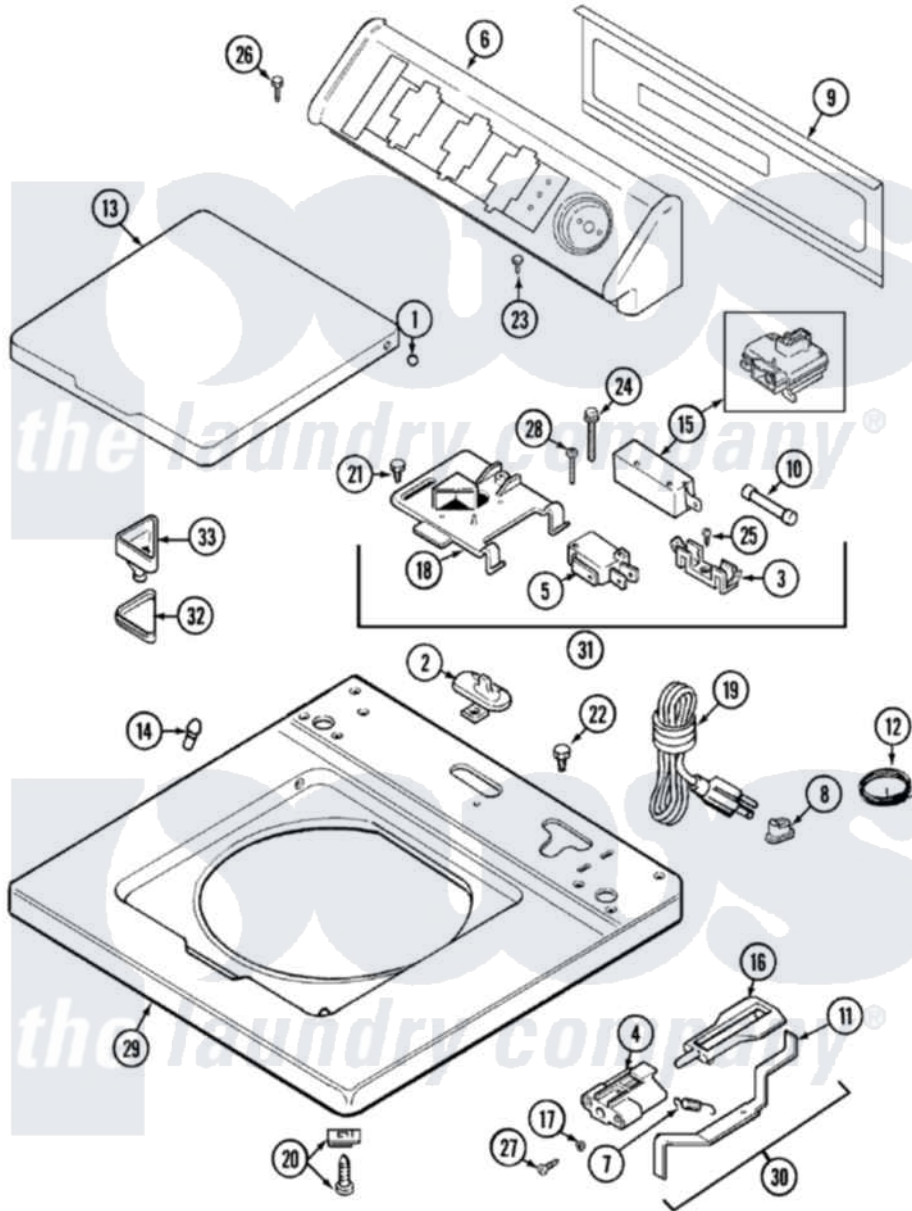


Maytag LAT8306AAM 05 - TOP



Maytag [Residential Maytag LAT8306AAM Washer Parts](#) Parts Diagram 05 - TOP
 Click on the part number to view part

Item	Original Part Number	Replaced By	Status	Part Description
1	211726			Hinge, Ball Lid
2	22001298			Cap, Top Cover
"	207159	489355		Screw, 8 X 1/2
3	W10124350		Not Available	NOT REQUIRED PART OR SEE NOTE
"	207167			Block, Fuse
4	22002135			Bracket, Unbalance
"	22001645		Not Available	BRACKET, UNBALANCE---NA
5	W10124350		Not Available	NOT REQUIRED PART OR SEE NOTE
"	207166			Switch, Check
6	22001671			Console ---NA
7	213720			Spring, Lid Switch
8	211881			Grommet, Cord Part Not Used-Gas Models Only
9	22001662	8534058		Screw
"	216423	3370225		Screw

"	22001814		Back Panel, Console
10	22001673	22001682	Switch Assembly, Lid W/4amp Fuse
"	W10124350		Not Available
11	22001672		Lever, Unbalance
"	22001968		Lever, Unbalance
12	22001654		Wire, Ground
"	Y705026	3370225	Screw
13	22001677		Not Available
"	22001675		Not Available
14	212716		LID W/LEGEND (CANADA-ALM)--NA
15	205415	279347	LID W/LEGEND (ALM)
"	22001967	12001908	Bumper, Lid
16	216255		Switch-Lid
17	211500		Switch-Lid
18	22001678		Plunger, Lid Switch
"	W10124350		Not Available
19	208194	22003062	Washer, Bracket To Top Cover
20	22001402	214354	Bracket, Switch And Fuse
21	207159	489355	NOT REQUIRED PART OR SEE NOTE
22	Y705026	3370225	Cord, Power
23	216423	3370225	Screw, Top Cover To Cabnt.
24	213501		Screw, 8 X 1/2
25	Y311711		Screw
26	216423	3370225	Screw
27	22001600	25-7809	Screw, No.6-20 X 1-1/8 Inch
28	22001352		Screw, Fuse Block
29	22001782	22002146	Screw
"	22002146		Screw, No.6-20 1/2 Flthd Torx
30	22001969		Screw, Check Switch
"	22001681		Cover Assembly, Top
31	22001682		Cover Assembly, Top
32	215374		Unbalance Lever Assembly
33	22001008		Unbalance Lever Assembly
			Switch Assembly, Lid W/4amp Fuse
			GASKET FOR BLEACH CUP
			Cup, Bleach

