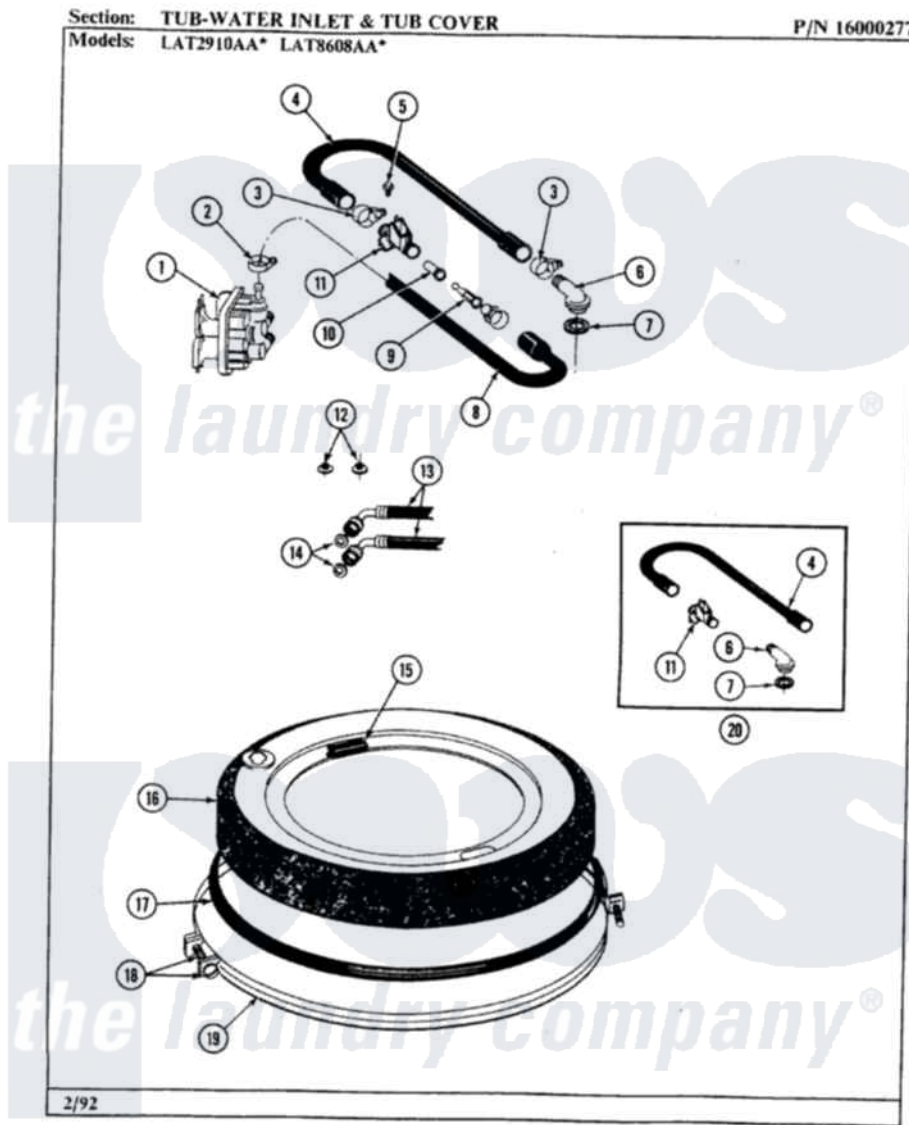


# Maytag LAT8608AAE 07 - TUB-WATER INLET & TUB COVER



10

Maytag Residential Maytag LAT8608AAE Washer Parts Parts Diagram 07 - TUB-WATER INLET & TUB COVER  
 Click on the part number to view part

Item	Original Part Number	Replaced By	Status	Part Description
1	<a href="#">205613</a>			Water Valve
2	<a href="#">201575</a>			Clamp, Hose
3	202515	<a href="#">596669</a>		Clamp, Manifold
4	<a href="#">Y215234</a>			Hose, Injector Fill
5	<a href="#">312620</a>			Screw, Sems
6	<a href="#">215235</a>			Tube, Injector
7	<a href="#">215233</a>			Seal For Injector Tube
8	<a href="#">213013</a>			Hose, Injector
9	<a href="#">213015</a>			Nozzle, Injector
10	213016	<a href="#">216201</a>		Nozzle
11	<a href="#">215447</a>			Sleeve For Injector
12	200961	<a href="#">12001413</a>		Strainer And Washer Kit
13	<a href="#">202860</a>			Inlet Hose Assembly
14	<a href="#">Y013783</a>			Washer, Inlet Hose
15	<a href="#">215232</a>			Bumper, Unbalance
17	<a href="#">211232</a>			Seal, Tub Cover

