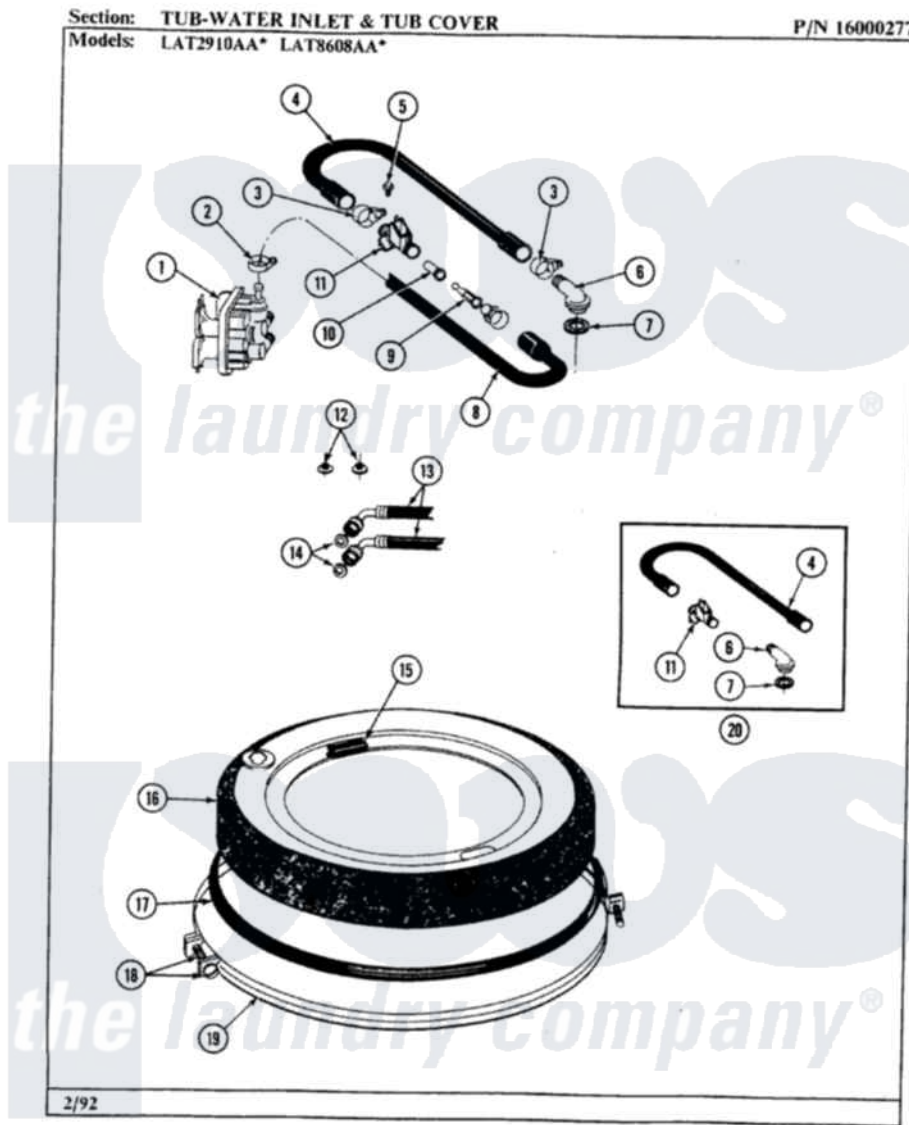


# Maytag LAT8608AAL 09 - TUB-WATER INLET & TUB COVER



10

Maytag Residential Maytag LAT8608AAL Washer Parts Parts Diagram 09 - TUB-WATER INLET & TUB COVER  
 Click on the part number to view part

Item	Original Part Number	Replaced By	Status	Part Description
1	<a href="#">205613</a>			Water Valve
2	<a href="#">201575</a>			Clamp, Hose
3	202515	<a href="#">596669</a>		Clamp, Manifold
4	<a href="#">Y215234</a>			Hose, Injector Fill
5	<a href="#">312620</a>			Screw, Sems
6	<a href="#">215235</a>			Tube, Injector
7	<a href="#">215233</a>			Seal For Injector Tube
8	<a href="#">213013</a>			Hose, Injector
9	<a href="#">213015</a>			Nozzle, Injector
10	213016	<a href="#">216201</a>		Nozzle
11	<a href="#">215447</a>			Sleeve For Injector
12	200961	<a href="#">12001413</a>		Strainer And Washer Kit
13	<a href="#">202860</a>			Inlet Hose Assembly
14	<a href="#">Y013783</a>			Washer, Inlet Hose
15	<a href="#">215232</a>			Bumper, Unbalance
16	206380		Not Available	COVER, TUB

17

[211232](#)

Seal, Tub Cover

18

[205529](#)

Nut And Bolt Kit For Tub Clam

19

[200846](#)

Clamp - Tub Cover

20

206683

[206680](#)

Water Injector Assembly

