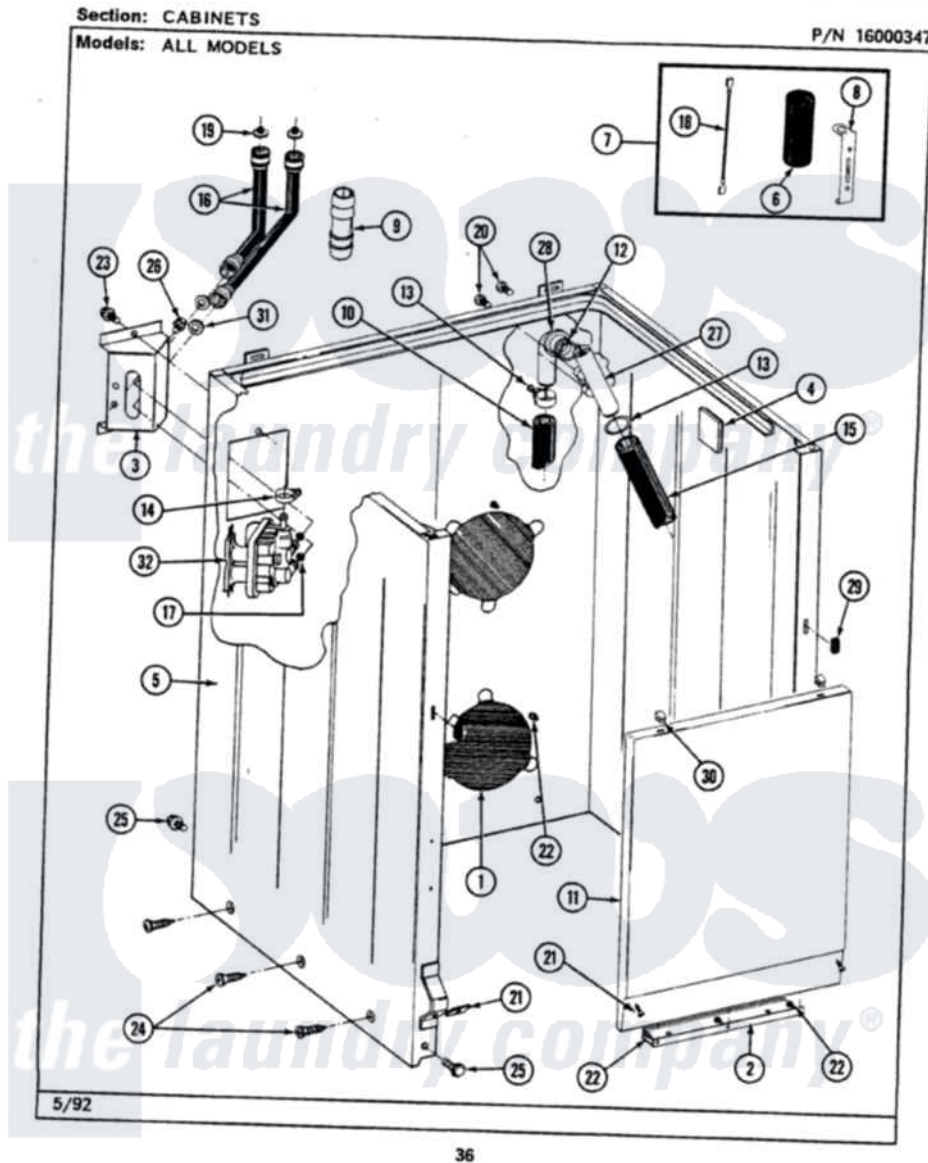


Maytag LAT8650ABW 02 - CABINET



Maytag Residential Maytag LAT8650ABW Washer Parts Parts Diagram 02 - CABINET
Click on the part number to view part

| Item | Original Part Number | Replaced By | Status | Part Description |
|------|-------------------------|--------------------------|---------------|------------------------------|
| 1 | 211878 | | Not Available | PLATE, ACCESS |
| 2 | 213846 | | | Guard, Belt |
| 3 | 214812 | 22002361 | | Bracket, Water Valve |
| 4 | 215058 | | | Pad, Cabinet Bumper |
| 5 | 203319 | 22203319 | | Cabinet |
| 6 | Y200832 | | | Capacitor |
| 7 | 206103 | | | Capacitor Kit |
| 8 | 211149 | | | Clip, Capacitor |
| 9 | Y216015 | | | Coupling, Hose |
| 10 | Y059149 | | | (7/8" I.D. CARTON OF 50 FT.) |
| " | 216017 | | | Hose, Drain |
| 11 | 212998 | | Not Available | PANEL, FRONT (WHT) |
| 12 | 214765 | | | Gasket, Siphon Break |
| 13 | 200908 | 285655 | | Clamp, Hose |
| 14 | 201575 | | | Clamp, Hose |
| 15 | 214767 | 22001448 | | Hose, Pump |

| | | | |
|----|-------------------------|---------------------------|---|
| 16 | 202860 | | Inlet Hose Assembly |
| 17 | 214337 | 96160 | Screen |
| 18 | 203237 | | No.17 Wire With Terminal |
| 19 | 200961 | 12001413 | Strainer And Washer Kit |
| 20 | Y014874 | | Screw, Idler Arm And Sleeve |
| 21 | 204439 | | Screw And Fstner Assembly |
| 22 | 211294 | 90767 | Screw, 8A X 3/8 HeX Washer Head Tapping |
| 23 | 212276 | W10116760 | Screw |
| 24 | 213007 | | Xfor Cabinet See Cabinet, Back |
| 25 | 213121 | 3400111 | Screw, 12-14 X 5/8 |
| " | 213122 | 27001200 | Screw |
| 26 | Y313561 | | Screw----NA |
| 27 | 206638 | | Siphon Break |
| 28 | Y216016 | W10116738 | Elbow |
| 29 | 214376 | 22002331 | Spacer, Front Panel |
| 30 | 212982 | 22001650 | Fastener, Spring |
| 31 | Y013783 | | Washer, Inlet Hose |
| 32 | 205613 | | Water Valve |

