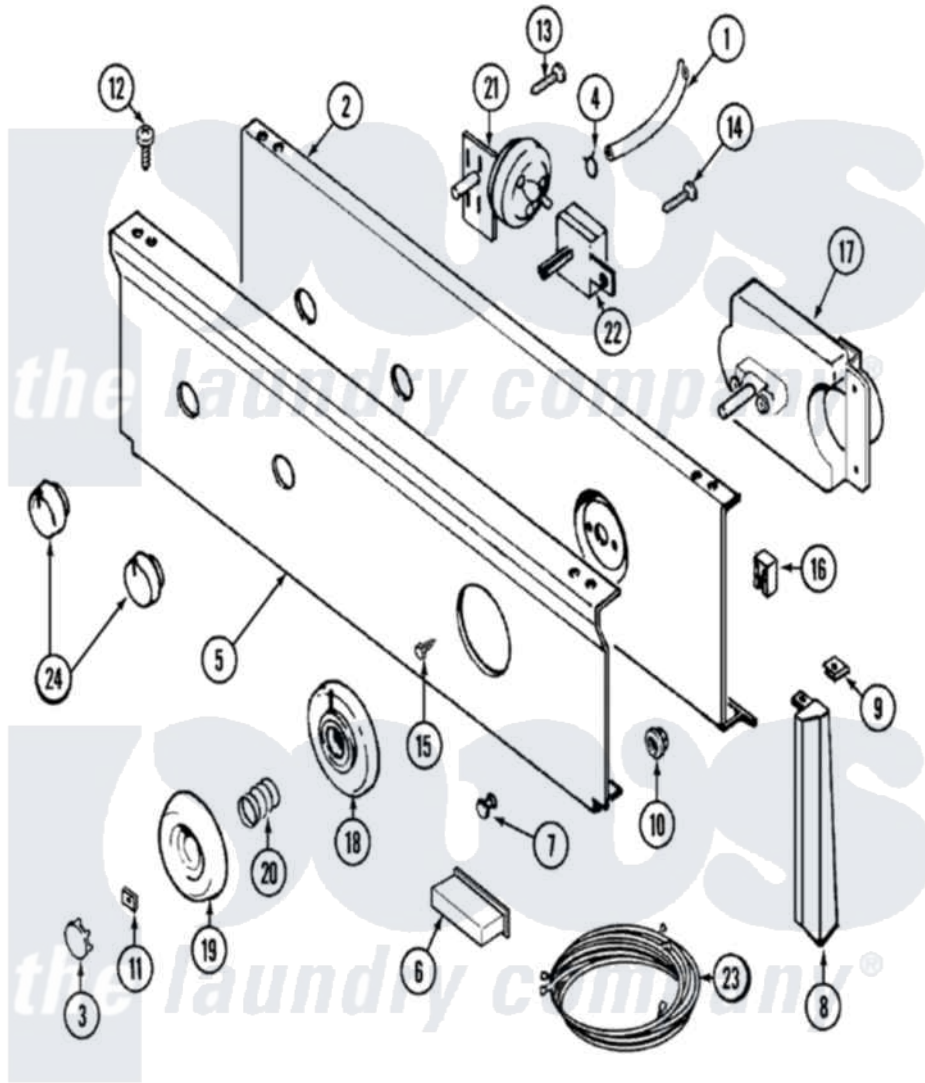


Maytag LAT8704AAL 04 - CONTROL PANEL



Maytag [Residential Maytag LAT8704AAL Washer Parts](#) Parts Diagram 04 - CONTROL PANEL

[Click on the part number to view part](#)

| Item | Original Part Number | Replaced By | Status | Part Description |
|------|--------------------------|-----------------------------|---------------|--|
| 1 | 22001036 | 22001619 | | Tube, Water Level Switch |
| 2 | 315483 | 3370225 | | Screw |
| " | 204807 | | | Ground Wire, Supp. Plte To Top Cover |
| " | 22001132 | | | Plate, Support |
| 3 | 216193 | | Not Available | CAP, TIMER KNOB (BLK) |
| 4 | 410296 | 596669 | | Clamp, Manifold |
| 5 | 22001162 | | Not Available | PANEL, CONTROL (BLK) |
| 6 | 214897 | | | Pad, Control Panel |
| 7 | 22001215 | 7730P011-60 | | Lens, Indicator Light |
| 8 | 22001288 | | | End Cap, Control Panel |
| " | 22001290 | | | End Cap, Control Panel |
| 9 | 214894 | | | Fastener, End Cap |
| 10 | 214872 | | | Palnut, End Cap Note: Nut, Lamp Holder |
| 11 | 211605 | | | Bezel, Timer Dial |
| 12 | 311728 | 210032 | | Screw, No.8 X 9/16 Ctsk Note: |

| | | | | |
|----|--------------------------|---------------------------|---------------|----------------------------|
| 12 | 014120 | 210322 | | Screw, Inlet Duct |
| 13 | 211168 | W10139210 | | Screw, 8-18 X 5/16 |
| 14 | 211168 | W10139210 | | Screw, 8-18 X 5/16 |
| 15 | 216412 | | | Screw, Bracket To Timer |
| 16 | 903115 | | | Lock Light |
| 17 | 22001254 | 22001638 | | Timer |
| 18 | 22001264 | | Not Available | BEZEL, TIMER KNOB (BLK) |
| 19 | 215828 | | | Knob, Timer |
| 20 | 211065 | | | Spring, Index Wheel |
| 21 | 208207 | | | Switch, Pressure |
| 22 | 208281 | | Not Available | SWITCH, TEMP (4POSITION) |
| 23 | 22001297 | | | Wire Harness, Main |
| 24 | 22001267 | | | Knob, Selector Switch |
| " | 22001100 | | Not Available | MANUAL, USE & CARE |
| " | 16000327 | | Not Available | GUIDE, QUICK REF. - MAYTAG |

