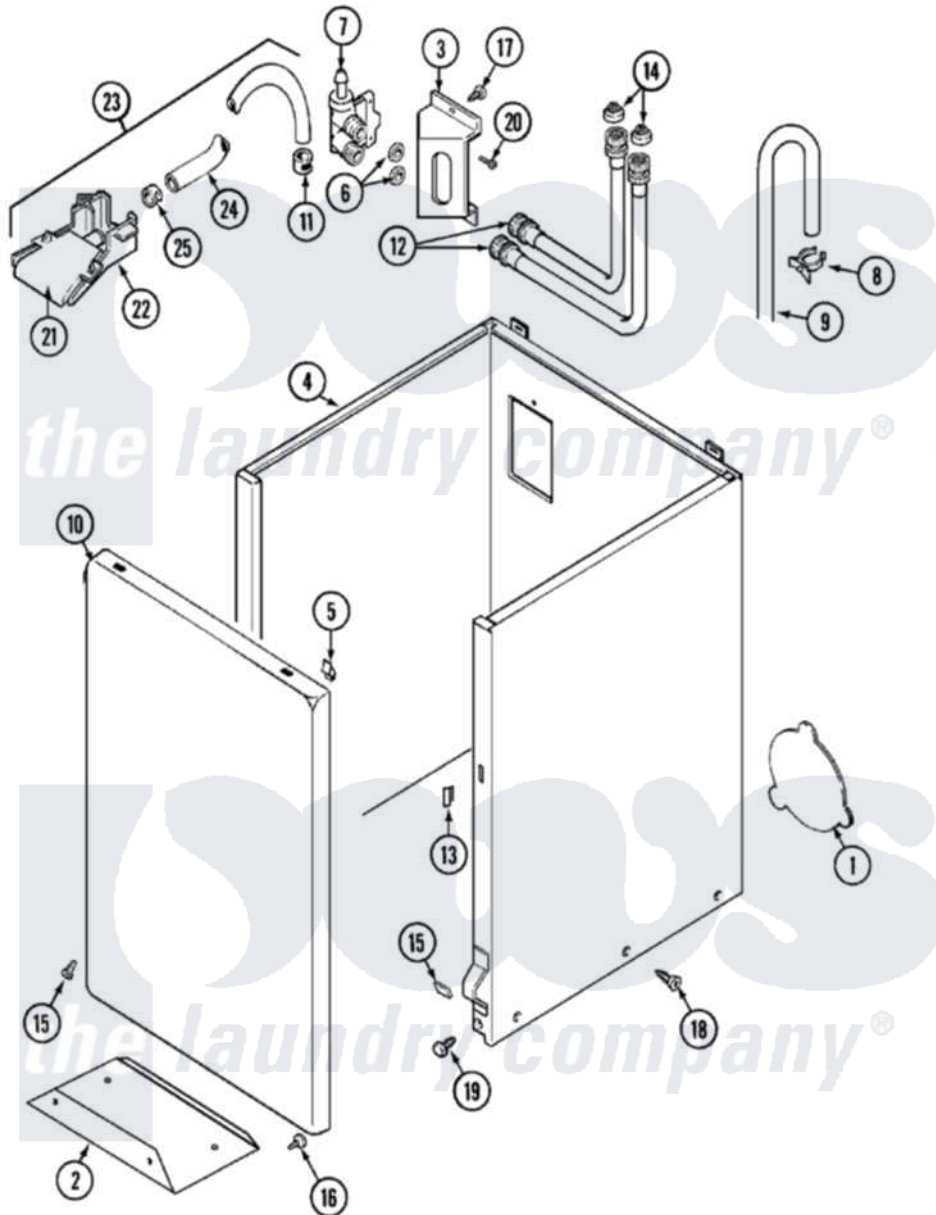


Maytag LAT8826AAM 02 - CABINET



Maytag [Residential Maytag LAT8826AAM Washer Parts](#) Parts Diagram 02 - CABINET
 Click on the part number to view part

| Item | Original Part Number | Replaced By | Status | Part Description |
|------|--------------------------|--------------------------|---------------|-----------------------------------------|
| 1 | 211878 | | Not Available | PLATE, ACCESS |
| " | 211294 | 90767 | | Screw, 8A X 3/8 HeX Washer Head Tapping |
| " | 22001683 | 22002924 | | Plate, Access |
| 2 | 213846 | | | Guard, Belt |
| 3 | 214812 | 22002361 | | Bracket, Water Valve |
| " | 22002361 | | | Bracket, Water Valve |
| 4 | 22001303 | | | Cabinet ----NA |
| " | 22002380 | 22001303 | | Cabinet ----NA |
| 5 | 22001650 | | | Fastener, Spring |
| 6 | Y013783 | | | Washer, Inlet Hose |
| 7 | 214337 | 96160 | | Screen |
| " | 22001274 | | | Valve, Water |
| " | 22002360 | | | Valve, Water |
| 8 | 22001815 | 22002765 | | Clip, Hose |
| 9 | 22001816 | | | Hose, Drain |
| 10 | 22001143 | | | Damper, Sound |

| | | | |
|----|--------------------------|---------------------------|---------------------------------------------|
| " | 22002370 | 22002658 | Panel, Front |
| " | 22001144 | | Damper, Sound |
| " | 22001804 | 22002653 | Panel, Front |
| 11 | 216169 | 596669 | Clamp, Manifold |
| 12 | 202860 | | Inlet Hose Assembly |
| 13 | 214376 | 22002331 | Spacer, Front Panel |
| 14 | 200961 | 12001413 | Strainer And Washer Kit |
| 15 | 22002378 | 27001200 | Screw |
| " | 22002377 | | Clip, Retainer |
| " | 22002376 | | Clip |
| " | 22001995 | | Screw Note: Screw, Tumbler Front And Shroud |
| " | 12001340 | 204439 | Screw And Fstner Assembly |
| 16 | 211294 | 90767 | Screw, 8A X 3/8 HeX Washer Head Tapping |
| 17 | 212276 | W10116760 | Screw |
| " | 22002372 | | Screw |
| 18 | 213007 | | Xfor Cabinet See Cabinet, Back |
| 19 | 213122 | 27001200 | Screw |
| " | 213121 | 3400111 | Screw, 12-14 X 5/8 |
| 20 | Y313561 | | Screw---NA |
| 21 | 22001187 | | Injector |
| 22 | 22001186 | | Injector |
| 23 | 22001304 | | Water Injector Assembly |
| 24 | 22001190 | | Hose, Injector |
| 25 | 216169 | 596669 | Clamp, Manifold |
| 26 | 22001972 | | Clip, Cabinet |

the laundry company[®]

the laundry company[®]