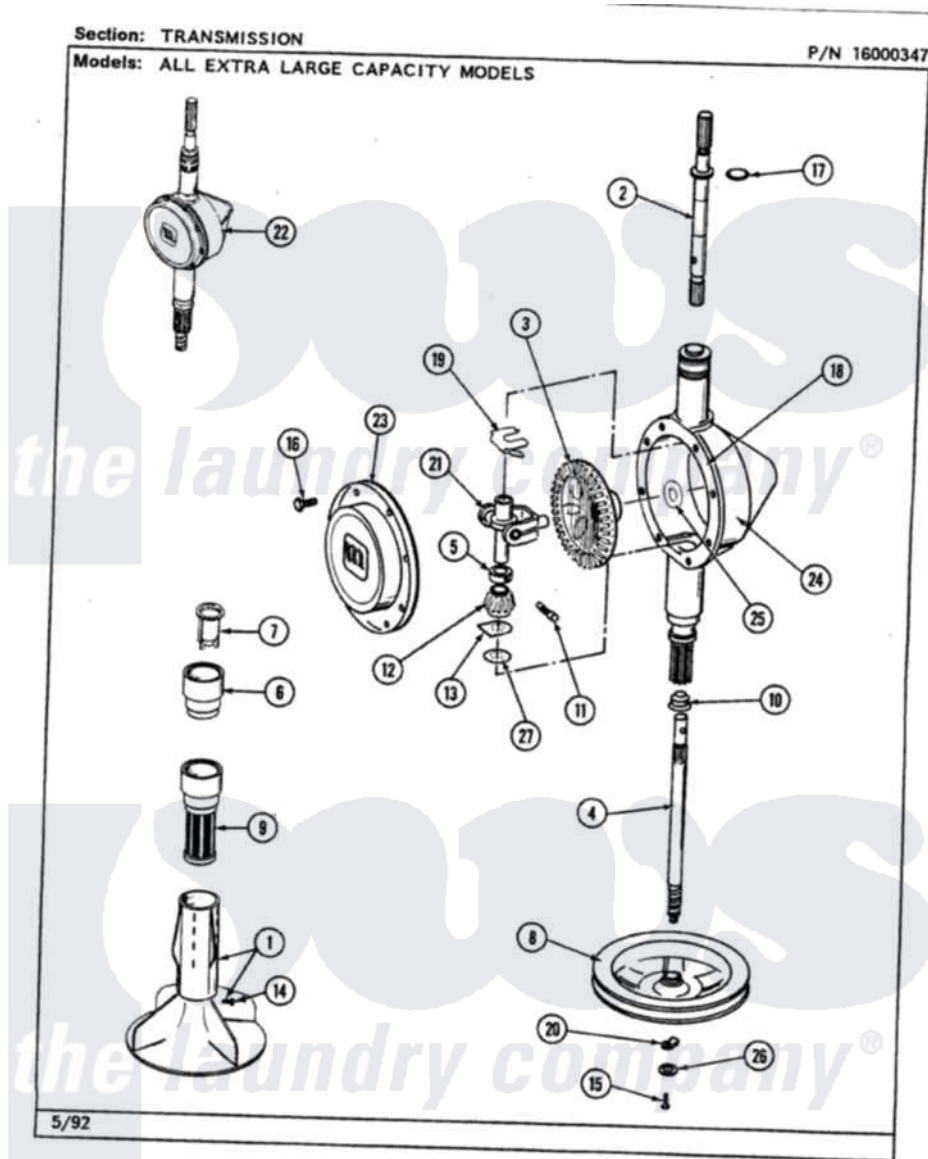


# Maytag LAT8840BAW 06 - TRANSMISSION



42

Maytag [Residential Maytag LAT8840BAW Washer Parts](#) Parts Diagram 06 - TRANSMISSION  
Click on the part number to view part

| Item | Original Part Number    | Replaced By               | Status        | Part Description                 |
|------|-------------------------|---------------------------|---------------|----------------------------------|
| 1    | <a href="#">207228</a>  |                           |               | Agitator W/Lock Screw            |
| 2    | 207153                  | <a href="#">6-2097820</a> |               | Kit- Shaft                       |
| 3    | 206713                  | <a href="#">6-2067130</a> |               | Gear- Beve                       |
| 4    | 215410                  | <a href="#">12001450</a>  |               | Ctr Shaft W/Collar Andkeeper- Dp |
| 5    | 215415                  |                           | Not Available | COLLAR, LOWER                    |
| 7    | <a href="#">215733</a>  |                           |               | Dispensing Cup                   |
| 8    | 211059                  | <a href="#">6-2301530</a> |               | Pulley                           |
| 9    | <a href="#">207426</a>  |                           |               | Lint Filter Deep                 |
| 10   | 206602                  | <a href="#">207843</a>    |               | Lip Seal Repair Kit              |
| 11   | <a href="#">Y206629</a> |                           |               | Pin, Collar                      |
| 12   | 215401                  | <a href="#">W10221114</a> |               | Pinion                           |
| 13   | <a href="#">215395</a>  |                           |               | Plate, Clutch                    |
| 14   | 206478                  |                           | Not Available | SCREW & WASHER FOR AGITATOR      |
| 15   | 211375                  | <a href="#">681582</a>    |               | Screw                            |
| 16   | 215417                  |                           | Not Available | SCREW, TRANSMISSION              |

|    |                        |                           |                        |
|----|------------------------|---------------------------|------------------------|
| 17 | <a href="#">210690</a> |                           | COVER                  |
| 18 | Y058700                | <a href="#">675652</a>    | Seal, Rubber           |
| 19 | <a href="#">215581</a> |                           | Adhesive               |
| 20 | <a href="#">211089</a> |                           | Spring, Agitator Shaft |
| 21 | 206685                 | <a href="#">6-2066850</a> | Lug, Stop Pulley       |
| 22 | 206707                 | <a href="#">6-2097750</a> | Yoke                   |
| 23 | <a href="#">206628</a> |                           | Trans Dee              |
| 24 | 206624                 | <a href="#">6-2097750</a> | Cover, Transmission    |
| 25 | <a href="#">215394</a> |                           | Trans Dee              |
| 26 | 211090                 | <a href="#">22003555</a>  | Washer, Bevel Gear     |
| 27 | 211483                 | <a href="#">6-2114830</a> | Washer, Stop Lug       |
|    |                        |                           | Washer- SP             |

*the laundry company*<sup>®</sup>

*the laundry company*<sup>®</sup>

*the laundry company*<sup>®</sup>