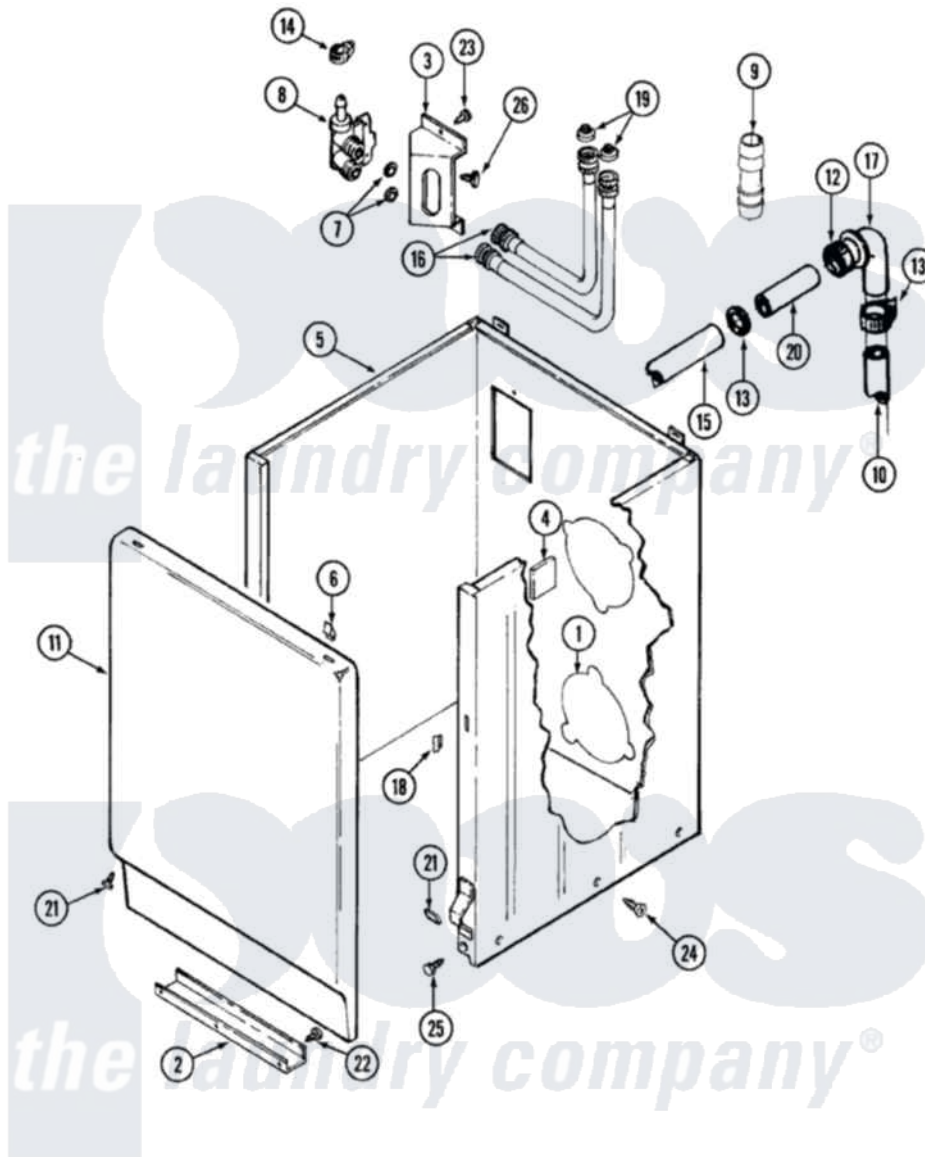


# Maytag LAT9200BBM 02 - CABINET (WHT/WHT & ALM/ALM)



Maytag Residential Maytag LAT9200BBM Washer Parts Parts Diagram 02 - CABINET (WHT/WHT & ALM/ALM)  
 Click on the part number to view part

Item	Original Part Number	Replaced By	Status	Part Description
1	211878		Not Available	PLATE, ACCESS
"	211294	<a href="#">90767</a>		Screw, 8A X 3/8 HeX Washer Head Tapping
2	<a href="#">213846</a>			Guard, Belt
3	214812	<a href="#">22002361</a>		Bracket, Water Valve
4	<a href="#">215058</a>			Pad, Cabinet Bumper
5	203319L		Not Available	(ALMOND)
6	212982	<a href="#">22001650</a>		Fastener, Spring
7	<a href="#">Y013783</a>			Washer, Inlet Hose
8	<a href="#">205613</a>			Water Valve
"	214337	<a href="#">96160</a>		Screen
9	<a href="#">Y216015</a>			Coupling, Hose
10	<a href="#">Y059149</a>			(7/8" I.D. CARTON OF 50 FT.)
"	<a href="#">216017</a>			Hose, Drain
11	212998L		Not Available	FRONT PANEL-ALMOND
12	<a href="#">214765</a>			Gasket, Siphon Break

13	200908	<a href="#">285655</a>	Clamp, Hose
14	<a href="#">201575</a>		Clamp, Hose
15	214767	<a href="#">22001448</a>	Hose, Pump
16	<a href="#">202860</a>		Inlet Hose Assembly
17	Y216016	<a href="#">W10116738</a>	Elbow
18	214376	<a href="#">22002331</a>	Spacer, Front Panel
19	200961	<a href="#">12001413</a>	Strainer And Washer Kit
20	<a href="#">Y014874</a>		Screw, Idler Arm And Sleeve
"	<a href="#">206638</a>		Siphon Break
21	<a href="#">204439</a>		Screw And Fstner Assembly
22	211294	<a href="#">90767</a>	Screw, 8A X 3/8 HeX Washer Head Tapping
23	212276	<a href="#">W10116760</a>	Screw
24	<a href="#">213007</a>		Xfor Cabinet See Cabinet, Back
25	213121	<a href="#">3400111</a>	Screw, 12-14 X 5/8
26	<a href="#">Y313561</a>		Screw----NA

