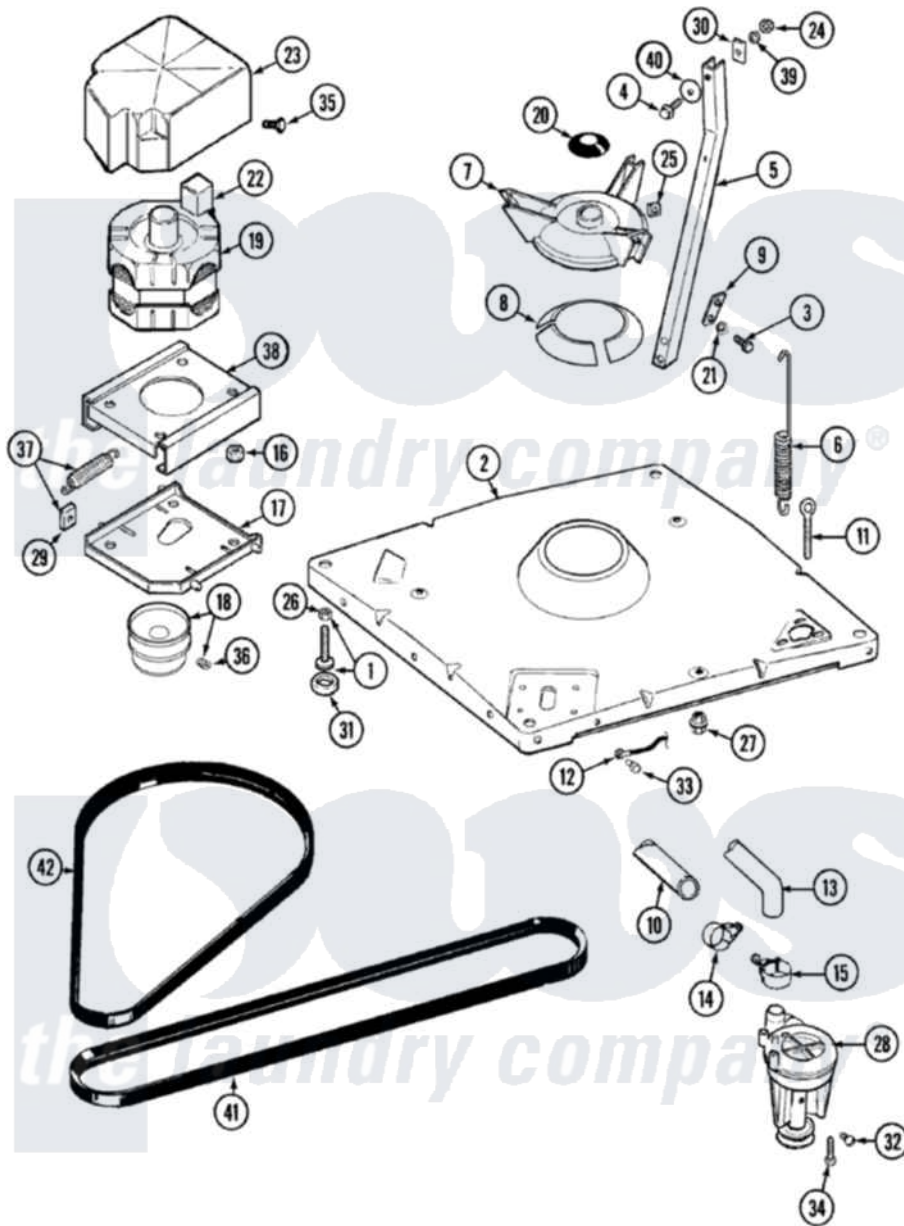


Maytag LAT9206AAM 01 - BASE



Maytag [Residential Maytag LAT9206AAM Washer Parts](#) Parts Diagram 01 - BASE
 Click on the part number to view part

| Item | Original Part Number | Replaced By | Status | Part Description |
|------|--------------------------|---------------------------|--------|-------------------------------|
| 1 | Y302699 | 22003428 | | Leg, Adjustable |
| 2 | 22001172 | 22002150 | | Base |
| 3 | Y015627 | | | Screw- Hex |
| 4 | 200744 | W10175939 | | Bolt |
| " | 205254 | W10175938 | | Bolt |
| 5 | 213053 | | | Brace, Tub Part Not Used |
| 6 | 22001300 | | | Spring, Centering |
| 7 | 203725 | | | Damper W/Bolt And Clip |
| 8 | 203956 | | | Damper Pad Kit |
| 9 | 213073 | | | Washer, Double Brace |
| 10 | 22001816 | | | Hose, Drain |
| 11 | 216416 | | | Bolt, Eye/Centering Spring |
| 12 | 901220 | | | Ground Wire |
| 13 | 213045 | | | Hose, Outer Tub Part Not Used |
| 14 | 22001820 | 285655 | | Clamp, Hose |
| 15 | 22001640 | 285655 | | Clamp, Hose |

| | | | |
|----|--------------------------|---------------------------|--|
| 16 | Y311426 | 3400029 | Nut, Adapter Plate |
| 17 | 22001301 | | Mount, Motor Lower-Assembly |
| 18 | 200816 | 6-2008160 | Pulley- MO |
| 19 | 201805 | 12002351 | Motor-Drve |
| 20 | 22001586 | | Deflector, Water |
| 21 | 911852 | 486009 | Lockwasher |
| 22 | 206505 | Not Available | PROD. No.201664-15, & No.205463-3. |
| " | 205132 | Not Available | SWITCH, MOTOR EXTERNAL START No.201664-14,205463- 4 & 201800-4 |
| 23 | 215098 | | Shield, Motor |
| 24 | Y052734 | | Nut, Carrage Bolts And Bracket |
| 25 | Y052785 | | Nut, Brace To Damper |
| 26 | 210385 | | Lock Nut For Adjustable Leg |
| 27 | 211949 | | Nut, Adjustment Eyebolt |
| 28 | 202203 | 6-2022030 | Pump As Pa |
| 29 | 204998 | 205000 | Roller And Spring Kit 4+Spr |
| 30 | 212979 | Not Available | WASHER, TUB BRACE |
| 31 | 210684 | | Foot, Adjustable Leg |
| 32 | Y015408 | 22003235 | Screw, Bearing Insert |
| 33 | Y705026 | 3370225 | Screw |
| 34 | 211880 | | Screw, HeX Head No.10 X 1/2 Inc |
| 35 | 213121 | 3400111 | Screw, 12-14 X 5/8 |
| 36 | Y053241 | | Set Screw, Motor Pulley |
| 37 | 205000 | | Roller And Spring Kit 4+Spr |
| 38 | 214956 | | Motor Mount Assembly |
| 39 | Y054867 | | Washer, Lock |
| 40 | 211100 | | Washer, Outer Tub |
| 41 | 211124 | | Part Not Used |
| 42 | 211125 | | V Belt, DriVe Pulley |

